

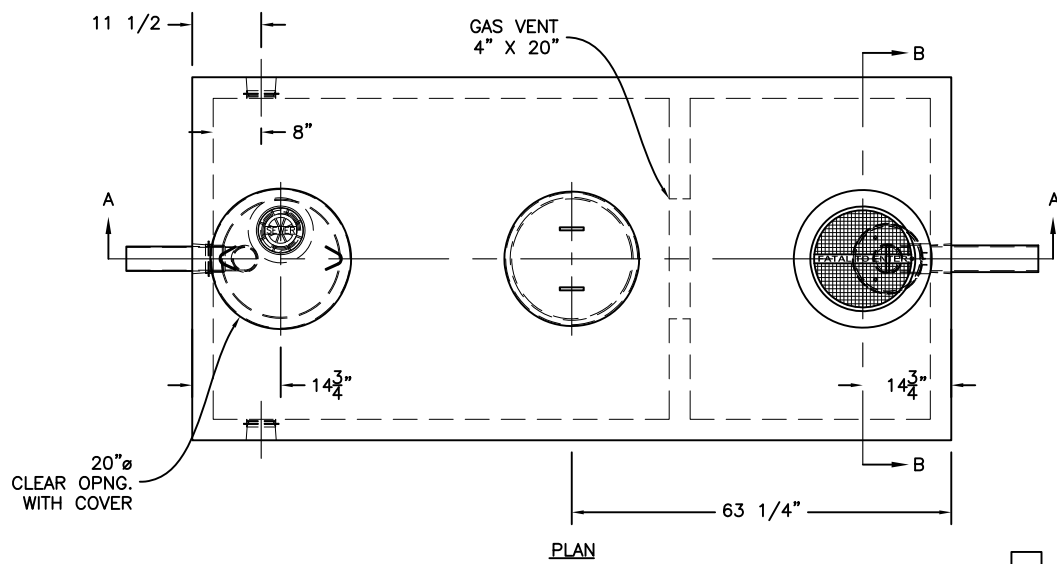


KISTNER CONCRETE PRODUCTS INC.  
8713 READ ROAD  
E. PEMBROKE, N.Y.  
14056  
(716) 894-2267

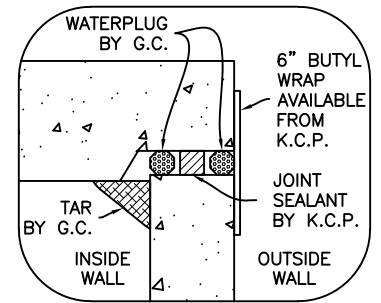
PRODUCT DESIGNATION  
**1250 GALLON "K-SEP" GREASE INTERCEPTOR - LOW PROFILE**

DWG. NO.  
**G1KSEP-G11250-LP**  
11-1-19

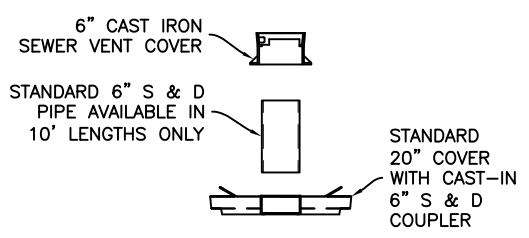
**SPECIFICATIONS:**  
 CONCRETE: 4,000 P.S.I. @ 28 DAYS.  
 ENTRAINED AIR: 5% - 9%.  
 STEEL: A.S.T.M. A496-A615 GRADE 60-60 KSI.  
 DESIGN LOADING: A-0.3/300PSF/WALKWAYS. FLOTATION FORCES NOT ACCOUNTED FOR.  
 PIPING: OUTLET TEES AND DROP LEGS SUPPLIED & INSTALLED BY G.C.  
 RISERS: SEE DWG. #ST-NTTNKRSR - "NON-TRAFFIC TANK RISERS".  
 COVER OVER TANK: MAX. 3' OF EARTH FILL.  
 WEIGHT:  
 TOP SECTION: 3,300 LBS.  
 BOTTOM SECTION: 11,475 LBS.  
 TOTAL: 14,775 LBS.



PLAN



WATERTIGHT JOINT DETAIL  
SCALE: N/A

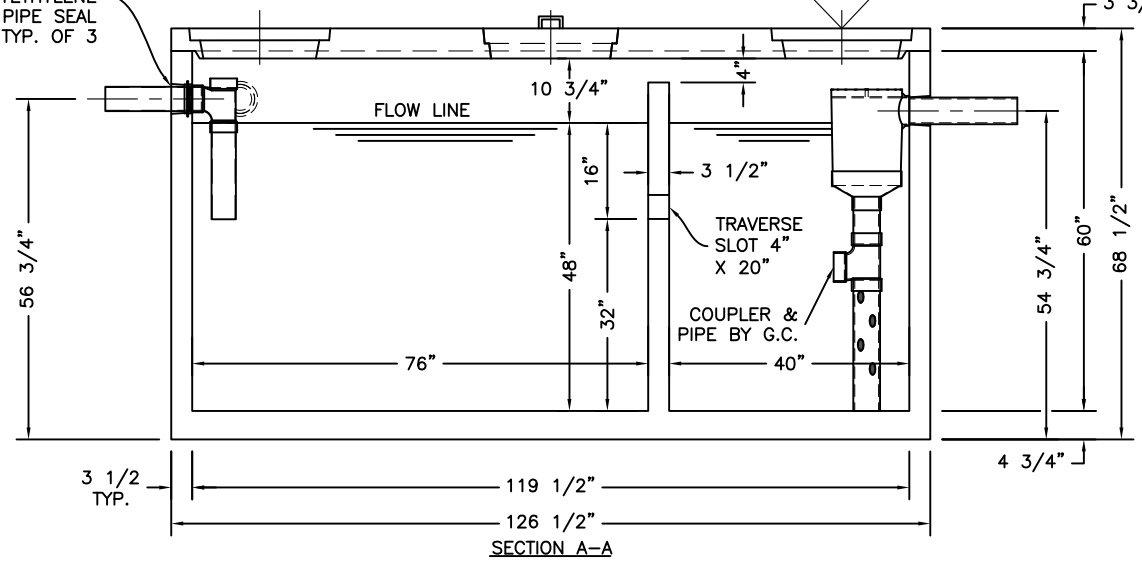


STANDARD 20" COVER WITH 6" PVC COUPLER CAST IN WITH 6" SEWER VENT COVER ARE INCLUDED IF 18" DIA. FRAME & COVER ARE NOT USED

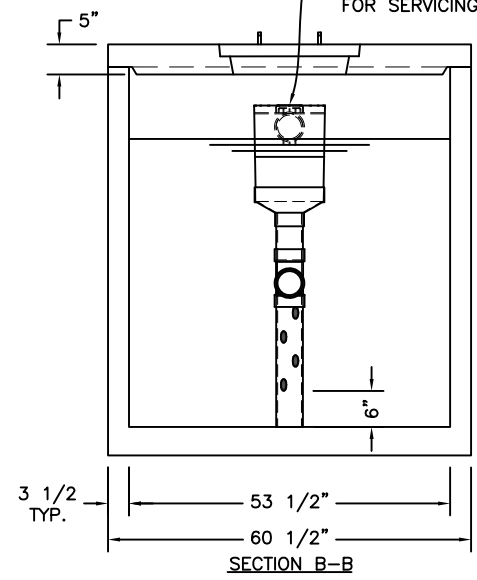
OPTIONAL - (REQ'D IF EFFLUENT FILTER IS USED)  
18" DIA. CAST IRON FRAME & COVER  
LOCKING & GASKETED  
LEGEND - "FATAL TO ENTER"

OPTIONAL  
A300 TERTIARY EFFLUENT POLISHING FILTER WITH EXTENSION (REMOVABLE FOR SERVICING)

4"Ø INLET WATERTIGHT POLYETHYLENE PIPE SEAL TYP. OF 3



SECTION A-A



SECTION B-B

L:\CADD\PRODUCTS\024-SquareRectangular-05x10.5-60X126\G11250-LP.dwg