

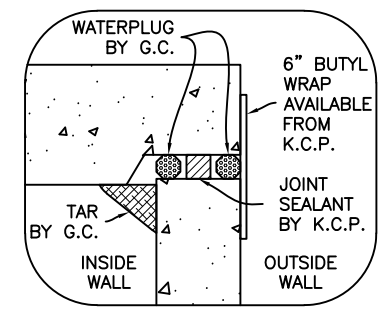
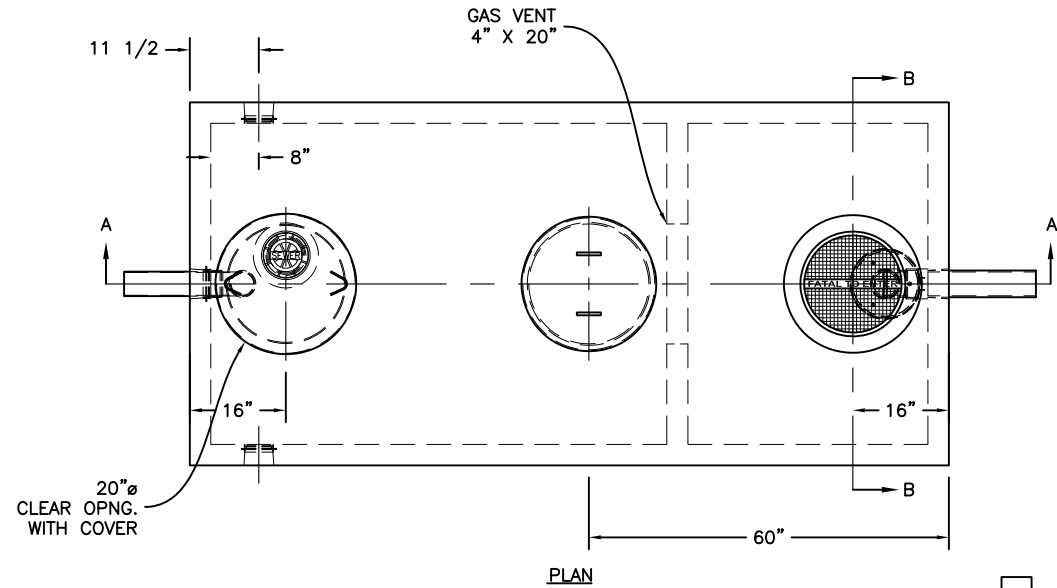


KISTNER CONCRETE PRODUCTS INC.
8713 READ ROAD
E. PEMBROKE, N.Y.
14056
(716) 894-2267

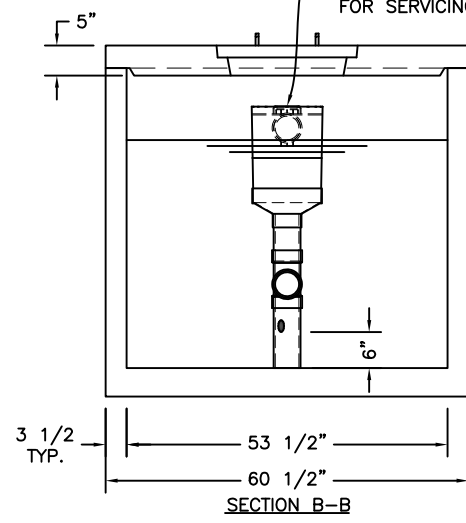
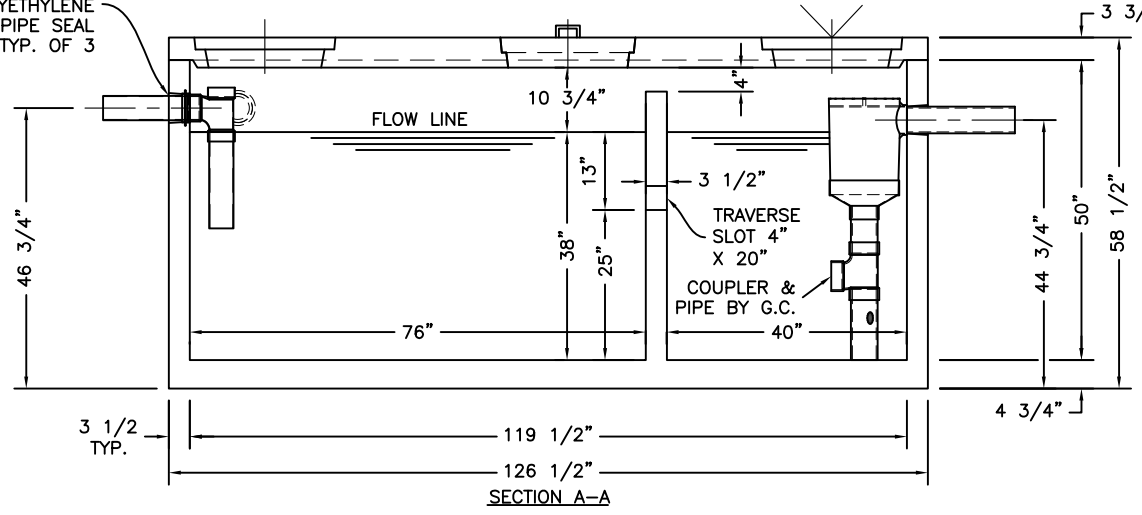
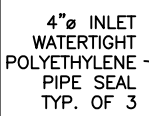
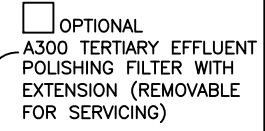
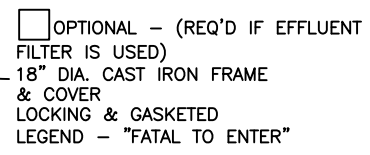
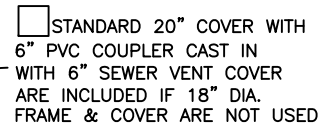
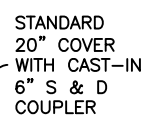
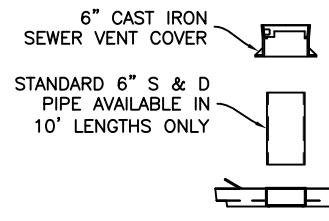
PRODUCT DESIGNATION
1000 GALLON "K-SEP" GREASE INTERCEPTOR - LOW PROFILE

DWG. NO.
GI-KSEP-GI1000-LP
11-1-19

SPECIFICATIONS:
 CONCRETE: 4,000 P.S.I. @ 28 DAYS.
 ENTRAINED AIR: 5% - 9%.
 STEEL: A.S.T.M. A496-A615
 GRADE 60-60 KSI.
 DESIGN LOADING: A-0.3/300PSF/WALKWAYS. FLOTATION FORCES NOT ACCOUNTED FOR.
 PIPING: OUTLET TEES AND DROP LEGS SUPPLIED & INSTALLED BY G.C.
 RISERS: SEE DWG. #ST-NTTNKRSR - "NON-TRAFFIC TANK RISERS".
 COVER OVER TANK: MAX. 3' OF EARTH FILL.
 WEIGHT:
 TOP SECTION: 3,300 LBS.
 BOTTOM SECTION: 10,110 LBS.
 TOTAL: 13,410 LBS.



WATERTIGHT JOINT DETAIL
SCALE: N/A



L:\CADD\PRODUCTS\024-SquareRectangular-05x10.5-60X126\GI1000-LP.dwg