



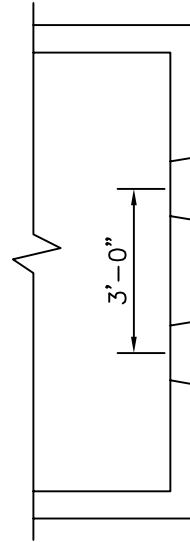
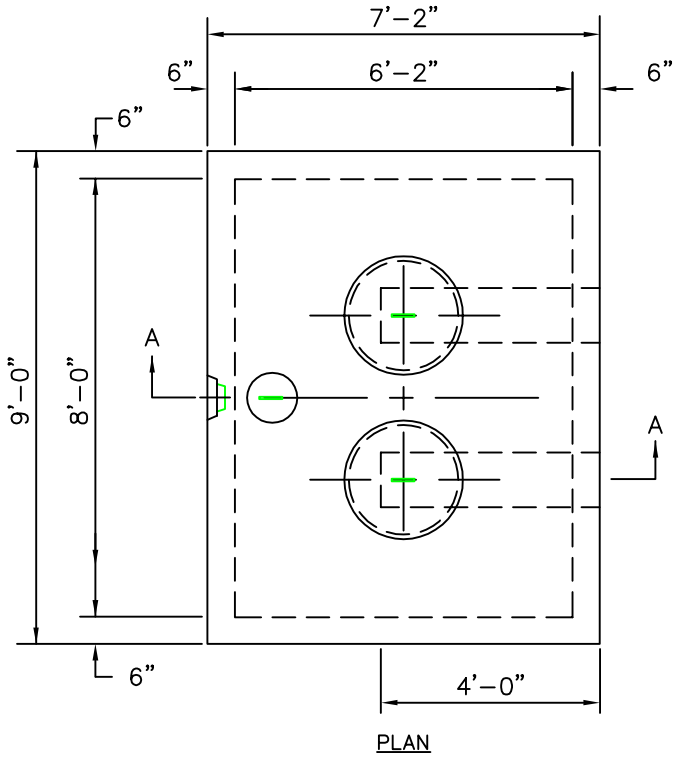
KISTNER CONCRETE PRODUCTS INC.
8713 READ ROAD
E. PEMBROKE, N.Y.
14056
(716) 894-2267

PRODUCT DESIGNATION

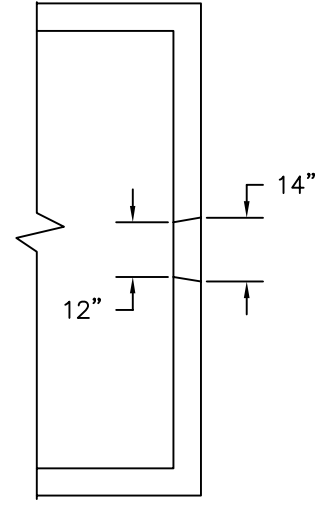
DWG. NO.

"F" TYPE DOSING CHAMBER

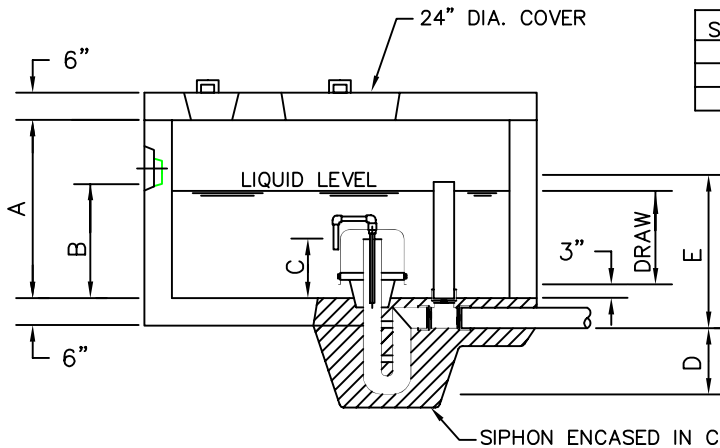
DC-F-TYPE



PARTIAL SIDE VIEW OF DOUBLE ALTERNATING SIPHONS.



PARTIAL SIDE VIEW OF SINGLE SIPHON.



SECTION A-A

SIPHON	GAL.	DRAW	A	B	C	D	E
417	522	17"	34"	22"	11"	15"	27.5"
423	707	23"	40"	28"	16"	15"	33.5"
413	400	13"	28"	18"	9"	12"	23.5"

- SPECIFICATIONS:
- CONCRETE: 4000 P.S.I. @ 28 DAYS.
5% - 9% ENTRAINED AIR.
- STEEL: A.S.T.M. A496-A615
GRADE 60-60 KSI.
SET TO "C" DIM.
- SIPHON: A.A.S.H.T.O. HS-20-44
CONSTRUCTION WITH 30% IMPACT AND
EQUIVALENT SOIL PRESSURE
OF 130 (PSF).
- JOINT: SEALED WITH 1" BUTYL RUBBER.
- DESIGN LOADING: A-0.3/300PSF/WALKWAYS.

- SPECIFICATIONS:
- CONCRETE: 4000 P.S.I. @ 28 DAYS.
5% - 9% ENTRAINED AIR.
- STEEL: A.S.T.M. A496-A615
GRADE 60-60 KSI.
- DESIGN LOADING: A.A.S.H.T.O. HS-20-44
WITH 30% IMPACT AND
EQUIVALENT SOIL PRESSURE
OF 130 (PSI).