



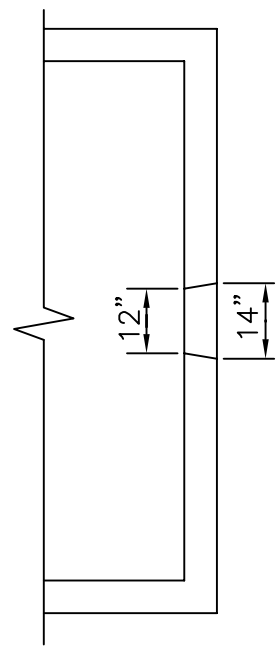
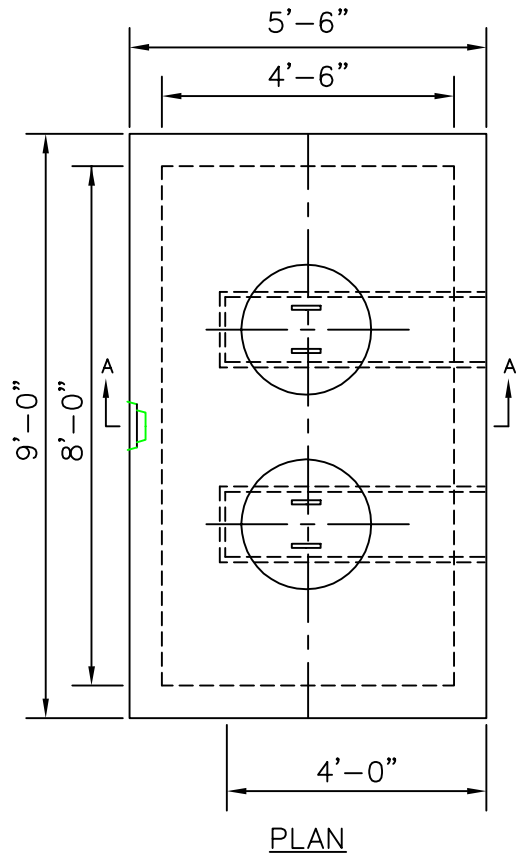
KISTNER CONCRETE PRODUCTS INC.
 8713 READ ROAD
 E. PEMBROKE, N.Y.
 14056
 (716) 894-2267

PRODUCT DESIGNATION

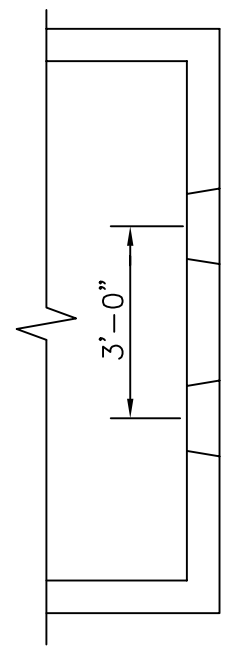
DWG. NO.

"E" TYPE DOSING CHAMBER

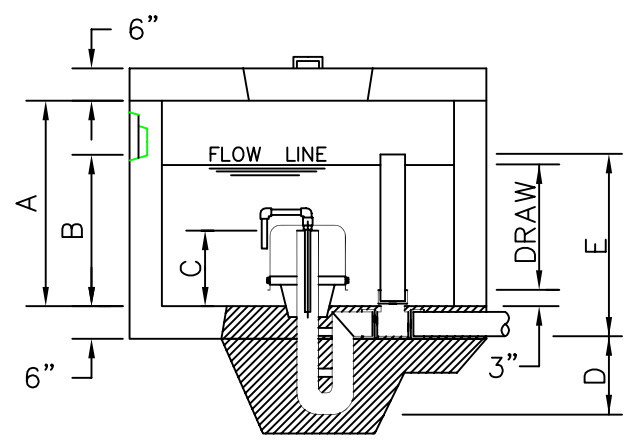
DC-E-TYPE



PARTIAL SIDE VIEW OF SINGLE SIPHON.



PARTIAL SIDE VIEW OF DOUBLE ALTERNATING SIPHONS.



SPECIFICATIONS:
 CONCRETE: 4,000 P.S.I. @ 28 DAYS.
 ENTRAINED AIR: 5% - 9%.
 STEEL: A.S.T.M. A496-A615 GRADE 60-60 KSI.
 DESIGN LOADING: A-0.3/300PSF/WALKWAYS.

SPECIFICATIONS:
 CONCRETE: 4000 P.S.I. @ 28 DAYS.
 ENTRAINED AIR: 5% - 9%.
 STEEL: A.S.T.M. A496-A615 GRADE 60-60 KSI.
 DESIGN LOADING: A.A.S.H.T.O. HS-20-44 WITH 30% IMPACT AND EQUIVALENT SOIL PRESSURE OF 130 (PSI).

SIPHON	GAL	DRAW	A	B	C	D	E
413	290	13"	28"	18"	11"	12"	23.5"
417	380	17"	32"	22"	11"	15"	27.5"
423	516	23"	38"	28"	11"	15"	33.5"