



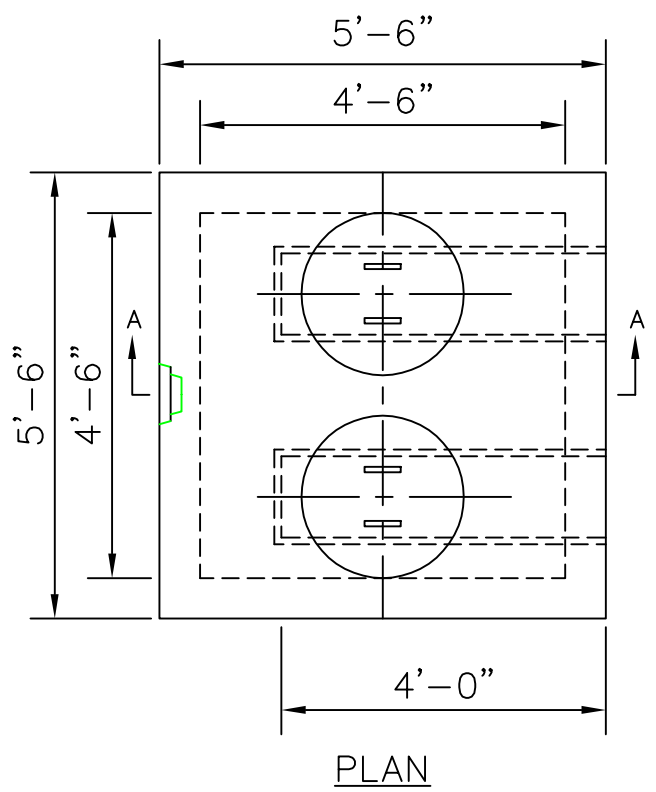
KISTNER CONCRETE
 PRODUCTS INC.
 8713 READ ROAD
 E. PEMBROKE, N.Y.
 14056
 (716) 894-2267

PRODUCT DESIGNATION

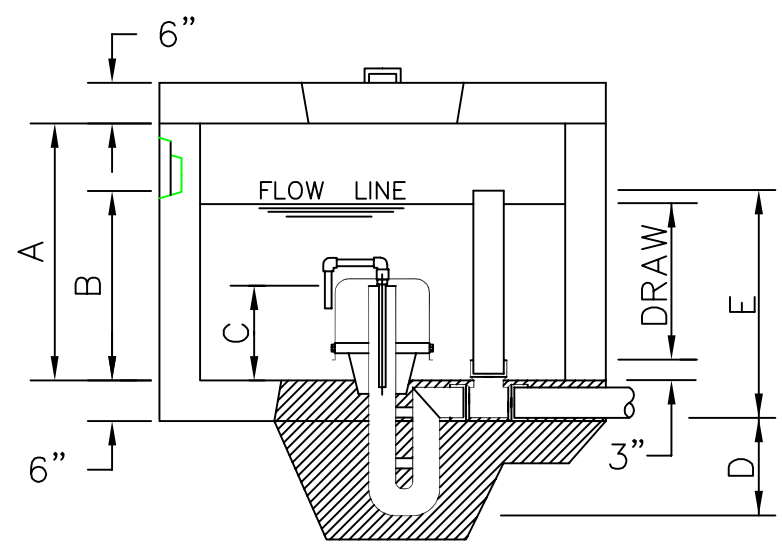
"D" TYPE DOSING CHAMBER

DWG. NO.

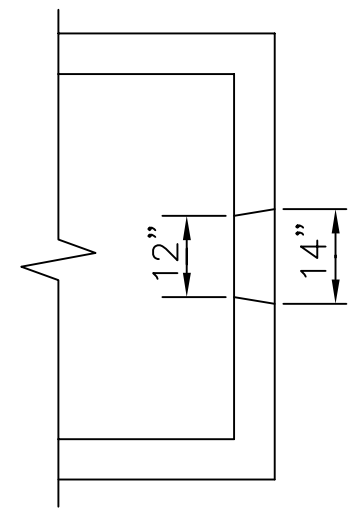
DC-D-TYPE



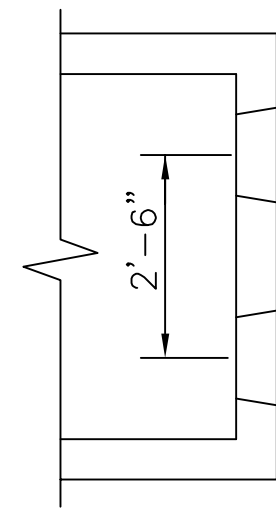
PLAN



SECTION A-A



PARTIAL SIDE VIEW OF SINGLE SIPHON.



PARTIAL SIDE VIEW OF DOUBLE ALTERNATING SIPHONS.

SPECIFICATIONS:
 CONCRETE: 4,000 P.S.I. @ 28 DAYS.
 ENTRAINED AIR: 5% - 9%.
 STEEL: A.S.T.M. A496-A615
 GRADE 60-60 KSI.
 DESIGN LOADING: A-0.3/300PSF/WALKWAYS.

SPECIFICATIONS:
 CONCRETE: 4000 P.S.I. @ 28 DAYS.
 ENTRAINED AIR: 5% - 9%.
 STEEL: A.S.T.M. A496-A615
 GRADE 60-60 KSI.
 DESIGN LOADING: A.A.S.H.T.O. HS-20-44
 WITH 30% IMPACT AND
 EQUIVALENT SOIL PRESSURE
 OF 130 (PSI).

SIPHON	GAL	DRAW	A	B	C	D	E
413	164	13"	30"	18"	9"	12"	23.5"
417	245	17"	32"	22"	11"	15"	27.5"
423	290	23"	38"	28"	16"	15"	33.5"