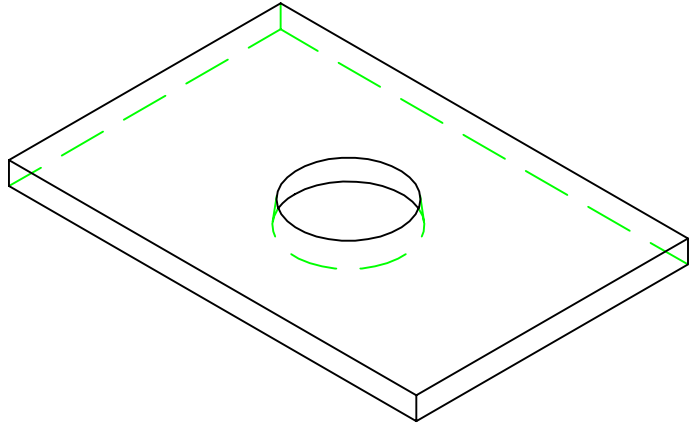
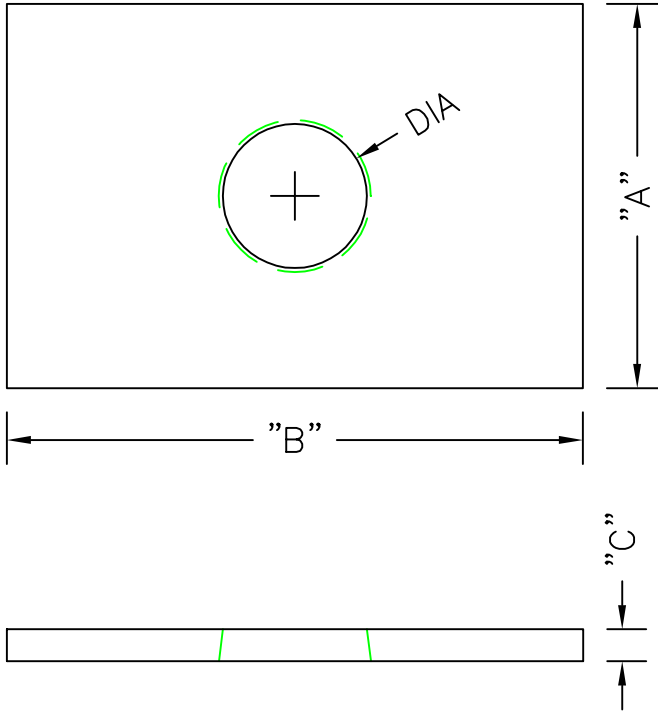




FLAT ROOF SLAB SQUARE AND RECTANGULAR

SPECIFICATIONS:
 CONCRETE: 4,000 P.S.I. @ 28 DAYS.
 ENTRAINED AIR: 5% - 9%.
 STEEL: A.S.T.M. A496-A615
 GRADE 60-60 KSI.
 DESIGN LOADING: A-0.3/300PSF/WALKWAYS.

SPECIFICATIONS:
 CONCRETE: 4,000 P.S.I. @ 28 DAYS.
 ENTRAINED AIR: 5% - 9%.
 STEEL: A.S.T.M. A496-A615
 GRADE 60-60 KSI.
 DESIGN LOADING: A.A.S.H.T.O. HS-20-44
 WITH 30% IMPACT AND
 EQUIVALENT SOIL PRESSURE
 OF 30 (PCF).



SLAB SIZE			OPNG./PLUG SIZE	WEIGHT
"A" (FT.)	"B" (FT.)	"C" (FT.)	DIA. (IN.)	POUNDS

NOTE: SPECIAL SIZE AND DESIGN SLABS AVAILABLE;
CALL OUR SALES ENGINEERS FOR DETAILS.