



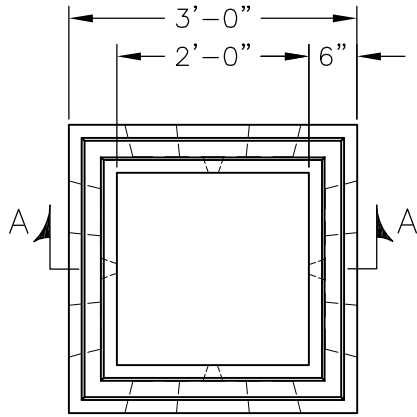
KISTNER CONCRETE PRODUCTS INC.
8713 READ ROAD
E. PEMBROKE, N.Y.
14056
(716) 894-2267

PRODUCT DESIGNATION

24" SQ. X 24" CATCH BASIN

DWG. NO.

CB-CB2424 ©
8/24/06



PLAN

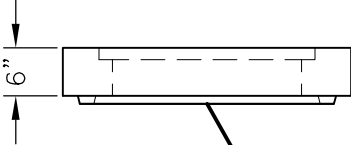
SPECIFICATIONS:

CONCRETE: 4,000 PSI @ 28 DAYS
 ENTRAINED AIR: 5%-9%
 STEEL: ASTM A496-A615
 GRADE 60-60 KSI
 DESIGN LOADING: AASHTO HS-20-44
 WITH 30% IMPACT AND EQUIVALENT SOIL PRESSURE OF 30 PCF. FLOATATION FORCES NOT ACCOUNTED FOR.
 WEIGHT: 1,586 LBS.
 KNOCKOUT: ALL KNOCKOUTS HAVE 2" - 2 1/2" CONCRETE THICKNESS.
 DRAIN HOLE: ALL UNITS HAVE 1" DRAIN HOLES IN EACH KNOCKOUT. CONTRACTOR TO GROUT IF NOT REQUIRED.

RAISED FRAME & GRATE

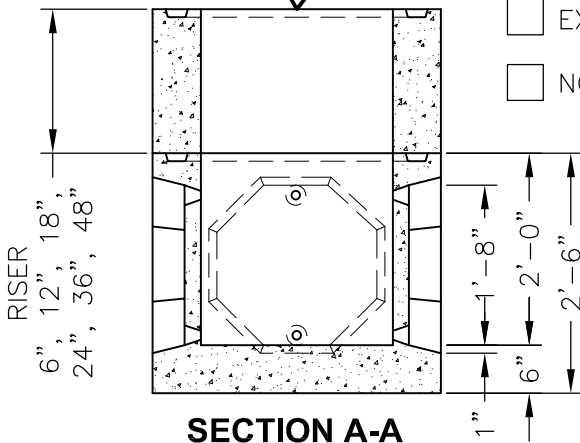
- CONTRACTOR TO SUPPLY
- 2" HIGH STEEL FRAME FOR R4832B GRATE
- 4" HIGH STEEL FRAME FOR R4832B GRATE

6" CAP WITH FRAME CAST IN FLUSH FOR R4832B GRATE

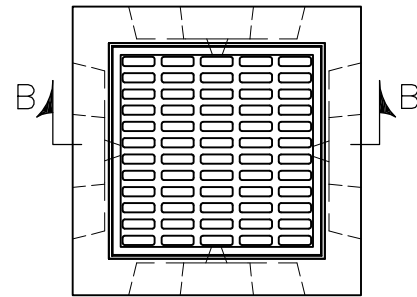


BITUMASTIC COATING (IF REQUIRED)

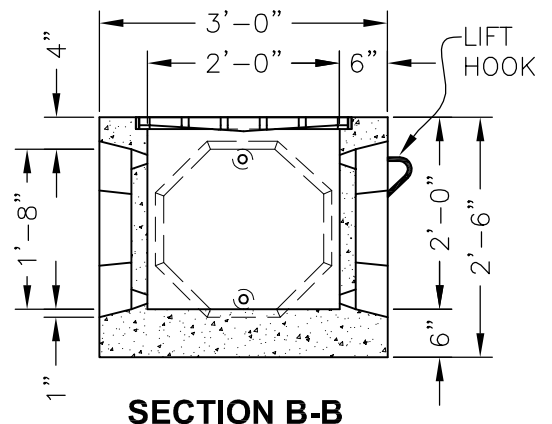
- INTERIOR
- EXTERIOR
- NONE REQ'D



SECTION A-A



PLAN



SECTION B-B

CODE: 315BSS FRAME AND GRATE IN CAP OR RAISED STYLE TO BE USED.

CODE: 316BSS WITH NEENAH R4832B GRATE OR EQUAL - HS-20-44 LOADING BICYCLE PROOF CAST IN FLUSH