



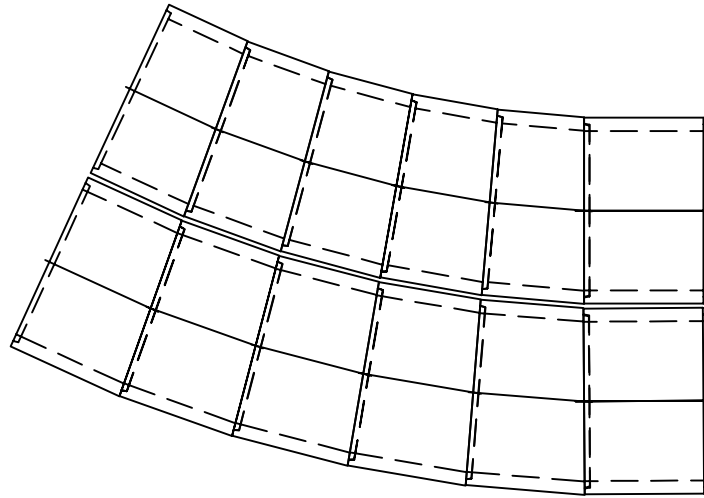
KISTNER CONCRETE
PRODUCTS INC.
8713 READ ROAD
E. PEMBROKE, N.Y.
14056
(716) 894-2267

PRODUCT DESIGNATION

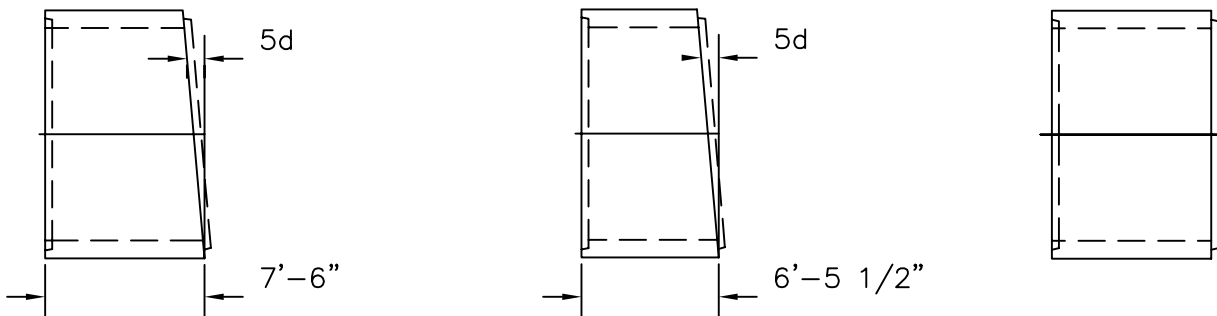
DWG. NO.

BOX CULVERT – TURNING SECTIONS

BC-TS



PLAN



DETAIL OF SECTIONS

TURNING SECTIONS – THESE SECTIONS ARE MANUFACTURED FOR INSTALLATIONS WHERE CHANGES IN ALIGNMENT ARE NEEDED. ANY NUMBER OF 5 DEGREE PIECES MAY BE ASSEMBLED TO ATTAIN THE PROPER AMOUNT OF ALIGNMENT CHANGE. THE RADIUS OF THE TURN MAY BE REDUCED BY SPECIFYING LESS THAN THE STANDARD CENTER-LINE LENGTH OF THE TURNING SECTIONS.