



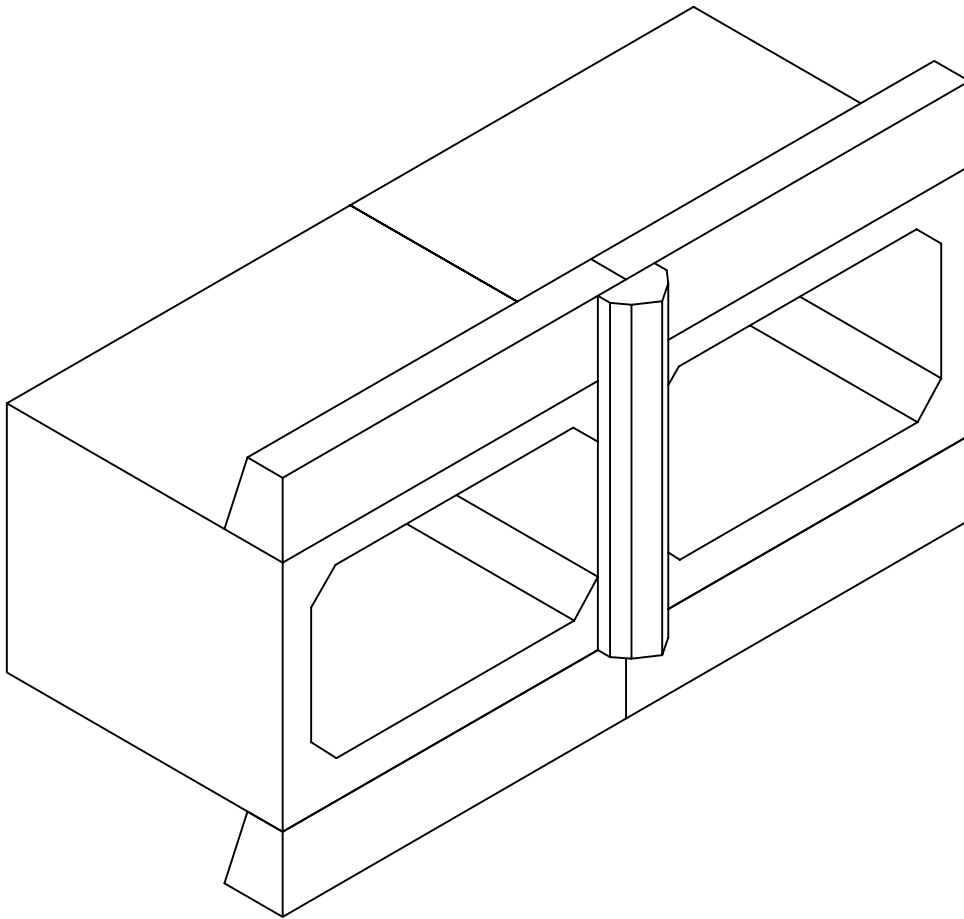
KISTNER CONCRETE
PRODUCTS INC.
8713 READ ROAD
E. PEMBROKE, N.Y.
14056
(716) 894-2267

PRODUCT DESIGNATION

DWG. NO.

BOX CULVERT
WITH HEAD AND TOE WALLS

BC-HWTW



PRECAST FACE – HEAD WALLS AND TOE WALLS
CAN BE ASSEMBLED FROM PRECAST CONCRETE
COMPONENTS. A PRECAST NOSE SECTION IS
AVAILABLE FOR ALL MULTIPLE CELL INSTALLATIONS
FOR BOTH INLET AND OUTLET.