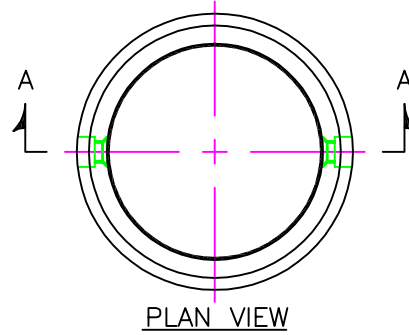
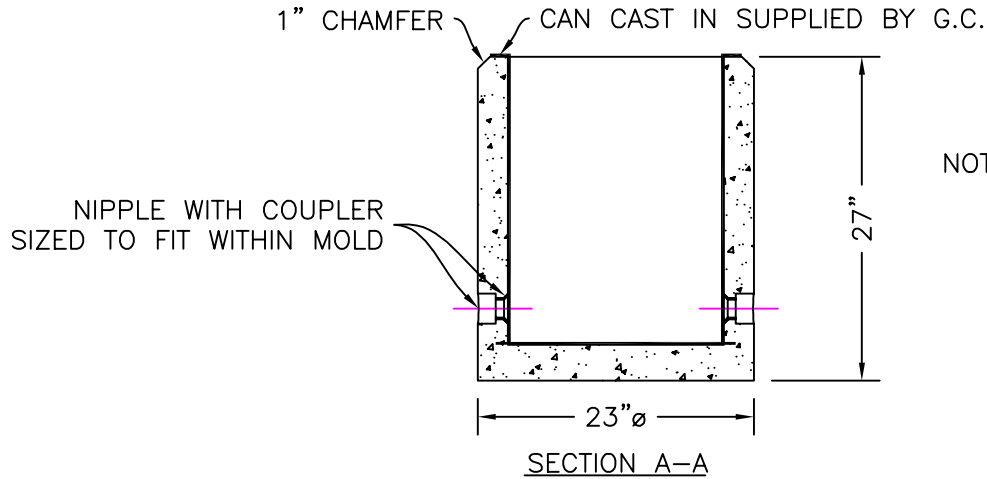




AIRPORT LIGHTING CAN



PLAN VIEW



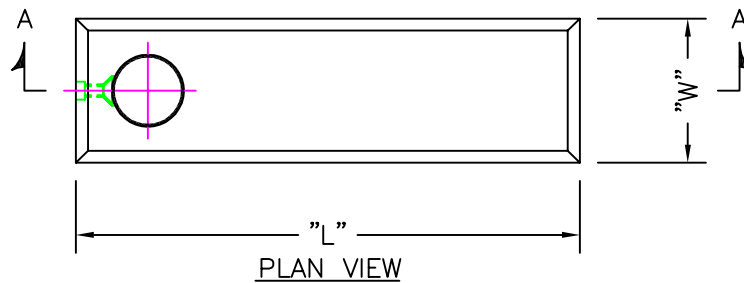
NOTE: ALL CONDUIT EXTENDED PAST EXTERIOR OF CONCRETE SHELL. SUPPLIED BY G.C.

SECTION A-A

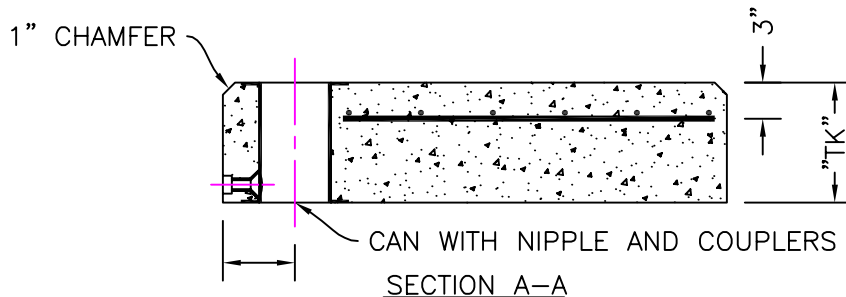


AIRPORT SIGN BASE

| AIRPORT SIGN BASE SIZES | | | |
|-------------------------|---|---|----|
| TYPE | L | W | TK |
| A | | | |
| R | | | |



PLAN VIEW



SECTION A-A