



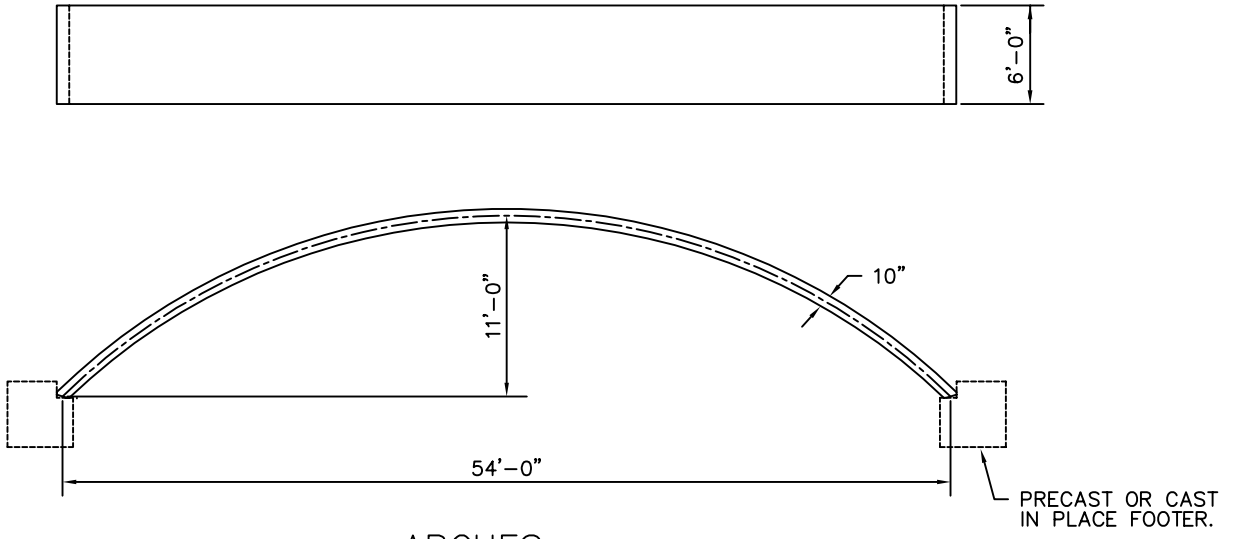
KISTNER CONCRETE PRODUCTS INC.
 8713 READ ROAD
 E. PEMBROKE, N.Y. 14056
 (716) 894-2267

PRODUCT DESIGNATION

ARCH BRIDGE 54'-0" SPAN

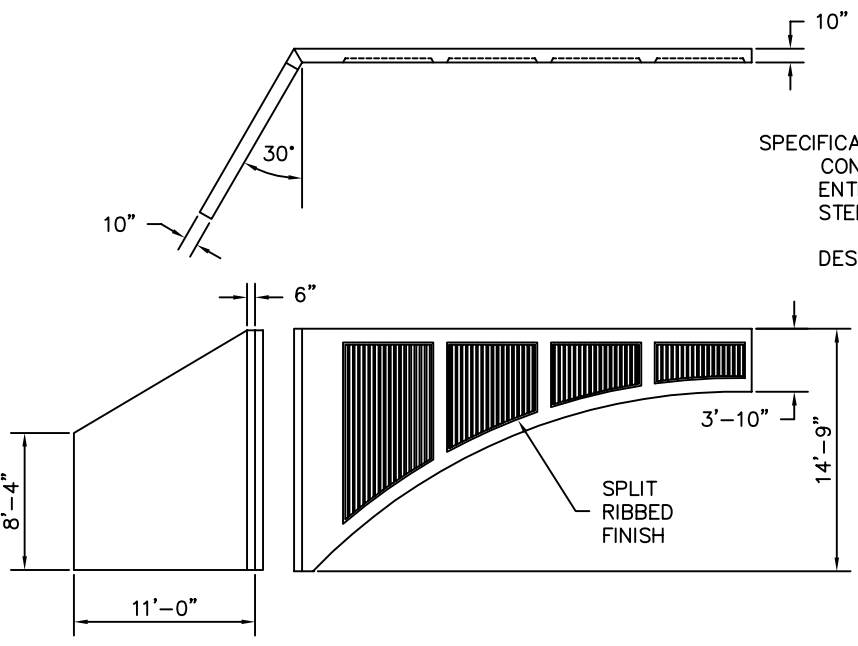
DWG. NO.

AB-54



ARCHES

ARCH SPAN (ft.)	WATER DEPTH / AVERAGE WATERWAY AREA (ft.)				
54	2/98	4/188	6/266	8/330	10/375



WINGWALL

FASCIA

SPECIFICATIONS:
 CONCRETE: 5000 P.S.I. @ 28 DAYS.
 ENTRAINED AIR: 5% - 9%
 STEEL: A.S.T.M. A496-A615
 GRADE 60-60 KSI.
 DESIGN LOADING: A.A.S.H.T.O. HS-20-44
 WITH 30% IMPACT AND
 EQUIVALENT SOIL PRESSURE
 OF 130 (PSI).