



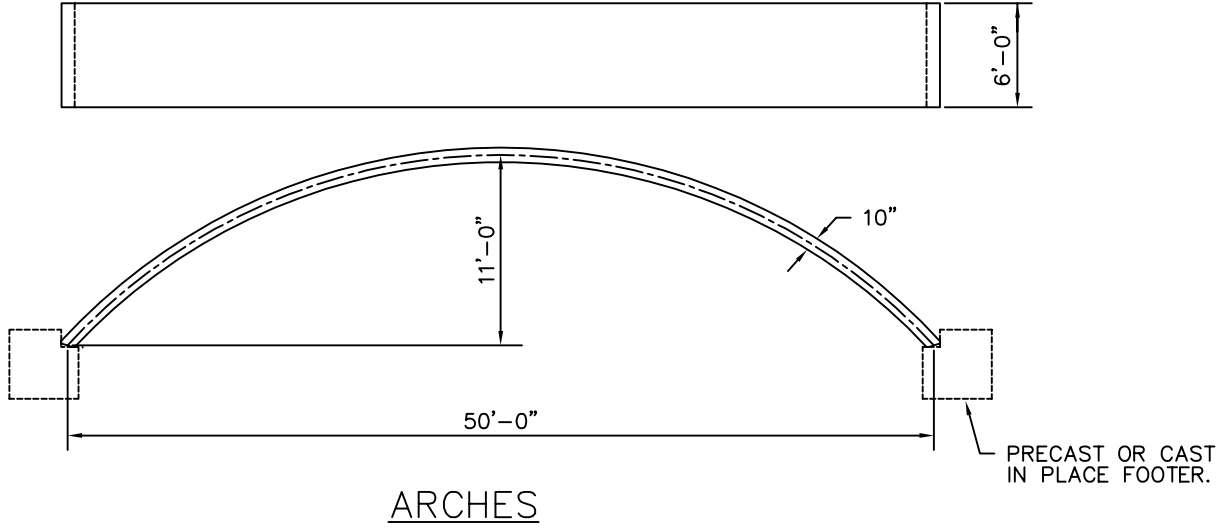
KISTNER CONCRETE PRODUCTS INC.
 8713 READ ROAD
 E. PEMBROKE, N.Y. 14056
 (716) 894-2267

PRODUCT DESIGNATION

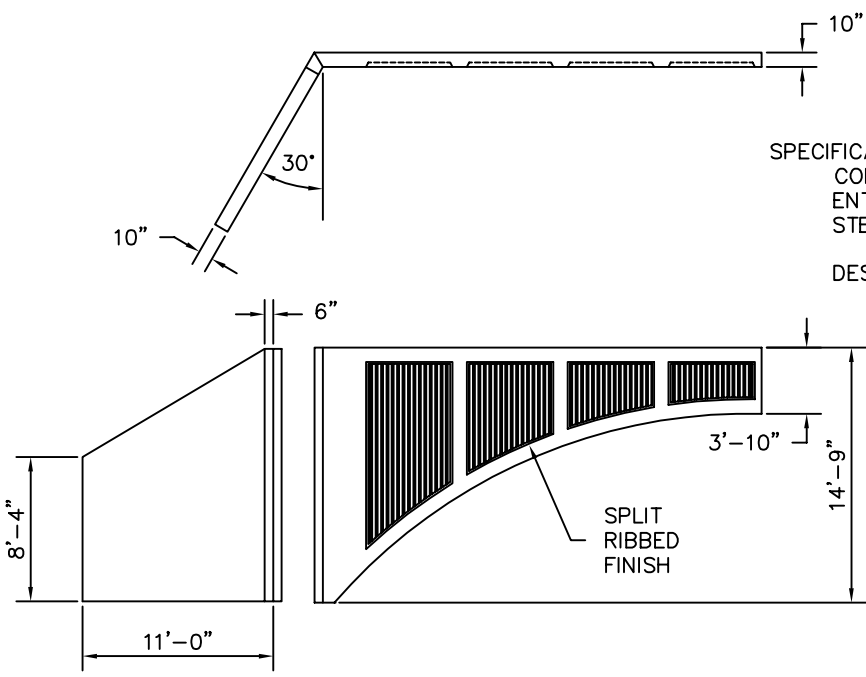
ARCH BRIDGE 50'-0" SPAN

DWG. NO.

AB-50



ARCH SPAN (ft.)	WATER DEPTH / AVERAGE WATERWAY AREA (ft.)				
50	2/92	4/175	6/247	8/307	10/348



WINGWALL

FASCIA

SPECIFICATIONS:
 CONCRETE: 5000 P.S.I. @ 28 DAYS
 ENTRAINED AIR: 5% - 9%
 STEEL: A.S.T.M. A496-A615 GRADE 60-60 KSI.
 DESIGN LOADING: A.A.S.H.T.O. HS-20-44 WITH 30% IMPACT AND EQUIVALENT SOIL PRESSURE OF 130 (PSI).