



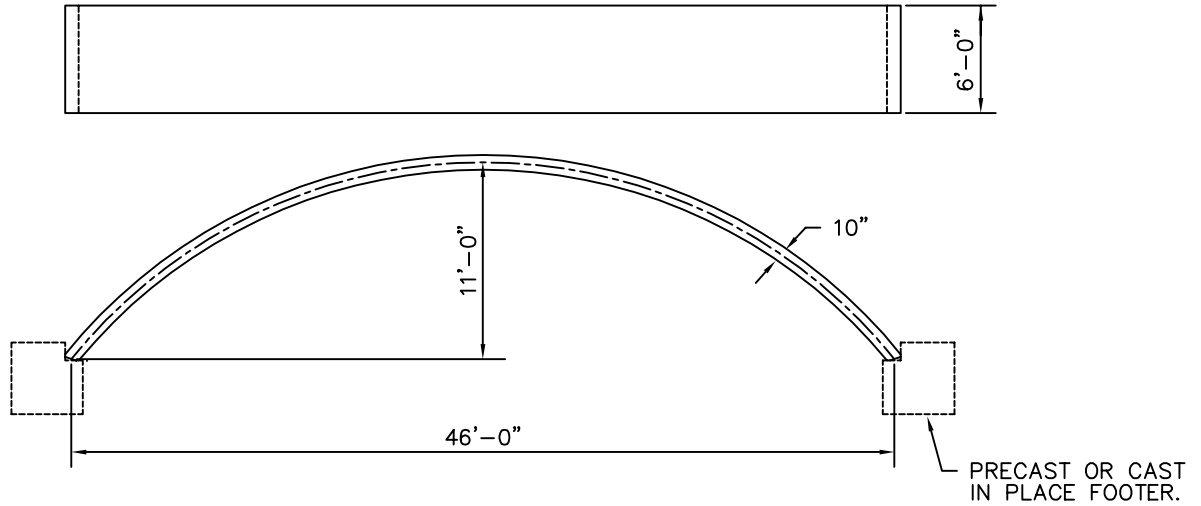
KISTNER CONCRETE PRODUCTS INC.
8713 READ ROAD
E. PEMBROKE, N.Y.
14056
(716) 894-2267

PRODUCT DESIGNATION

DWG. NO.

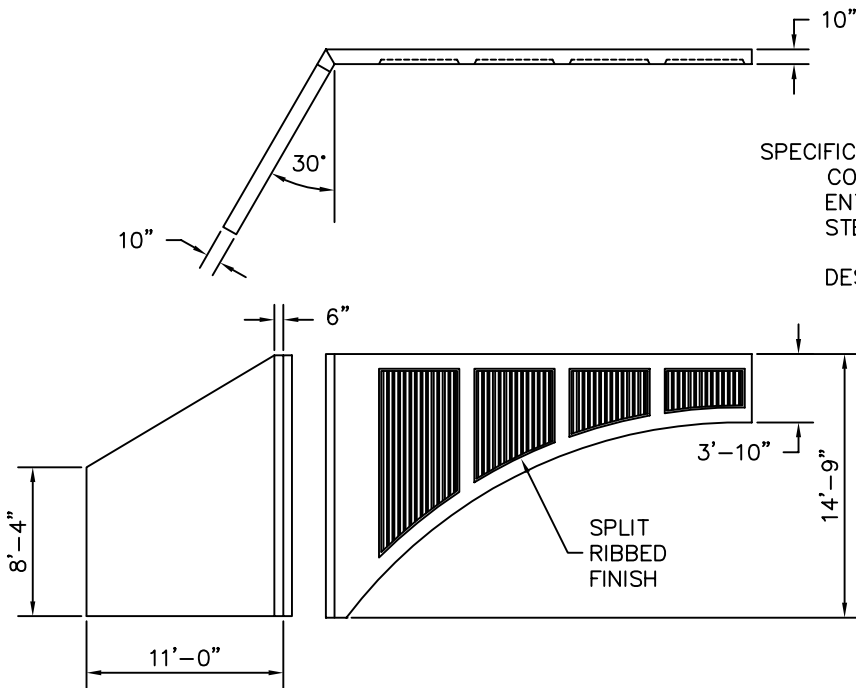
ARCH BRIDGE 46'-0" SPAN

AB-46



ARCHES

ARCH SPAN (ft.)	WATER DEPTH / AVERAGE WATERWAY AREA (ft.)				
	2/84	4/161	6/226	8/281	10/319
46	2/84	4/161	6/226	8/281	10/319



WINGWALL

FASCIA

SPECIFICATIONS:

CONCRETE:
ENTRAINED AIR:
STEEL:

5000 P.S.I. @ 28 DAYS
5% - 9%
A.S.T.M. A496-A615
GRADE 60-60 KSI.

DESIGN LOADING:

A.A.S.H.T.O. HS-20-44
WITH 30% IMPACT AND
EQUIVALENT SOIL PRESSURE
OF 130 (PSI).