



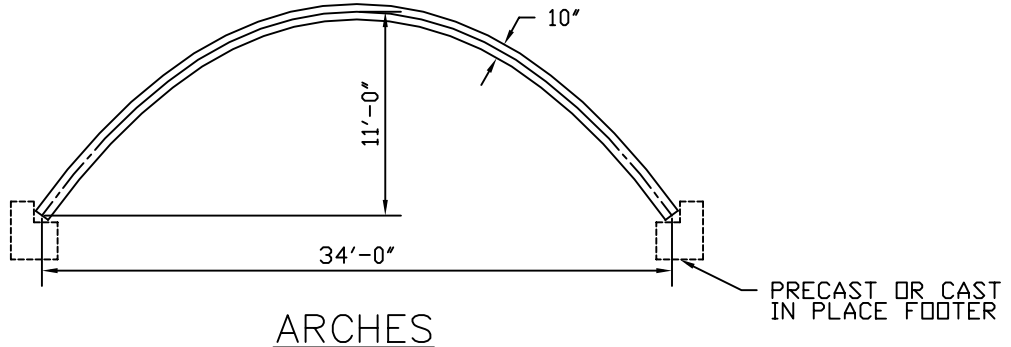
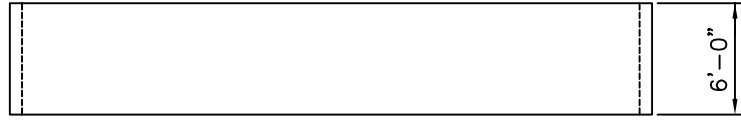
KISTNER CONCRETE PRODUCTS INC.
8713 READ ROAD
E. PEMBROKE, N.Y.
14056
(716) 894-2267

PRODUCT DESIGNATION

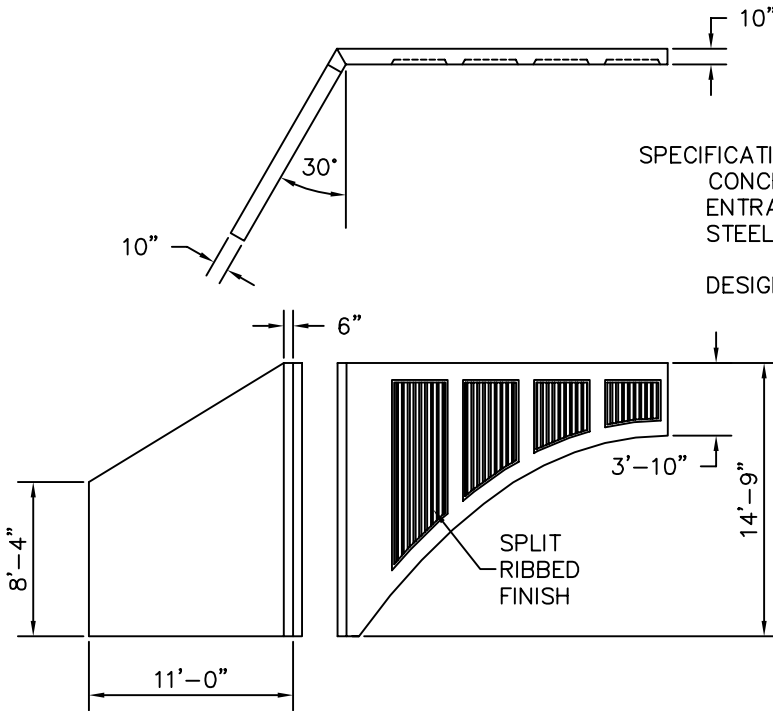
DWG. NO.

ARCH BRIDGE 34'-0" SPAN

AB-34



ARCH SPAN (ft.)	WATER DEPTH / AVERAGE WATERWAY AREA (ft.)				
34	2/61	4/117	6/165	8/205	10/233



SPECIFICATIONS:
 CONCRETE: 5000 P.S.I. @ 28 DAYS
 ENTRAINED AIR: 5% - 9%
 STEEL: A.S.T.M. A496-A615
 GRADE 60-60 KSI.
 DESIGN LOADING: A.A.S.H.T.O. HS-20-44
 WITH 30% IMPACT AND
 EQUIVALENT SOIL PRESSURE
 OF 130 (PSI).