



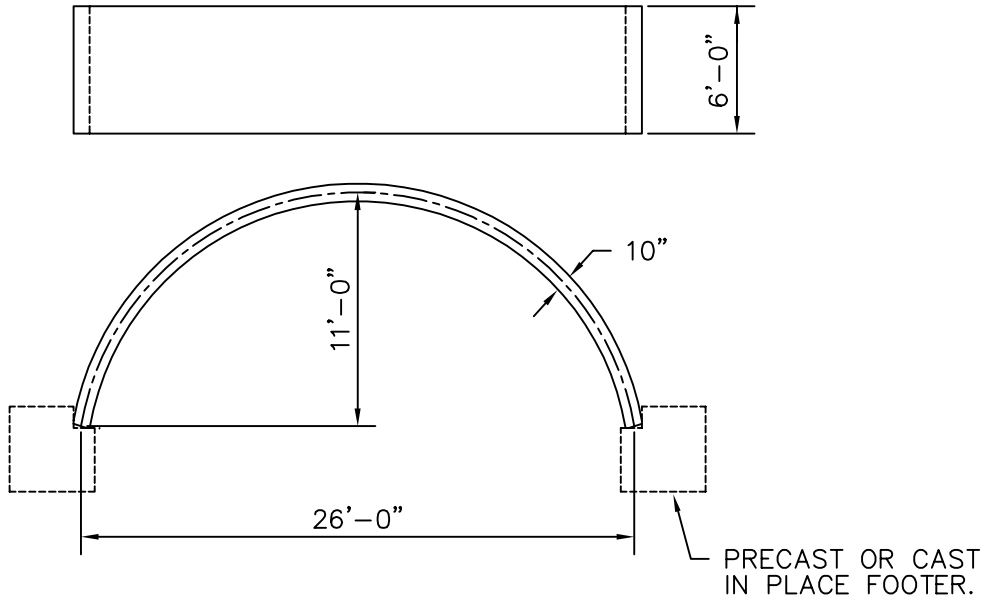
KISTNER CONCRETE PRODUCTS INC.  
8713 READ ROAD  
E. PEMBROKE, N.Y.  
14056  
(716) 894-2267

PRODUCT DESIGNATION

DWG. NO.

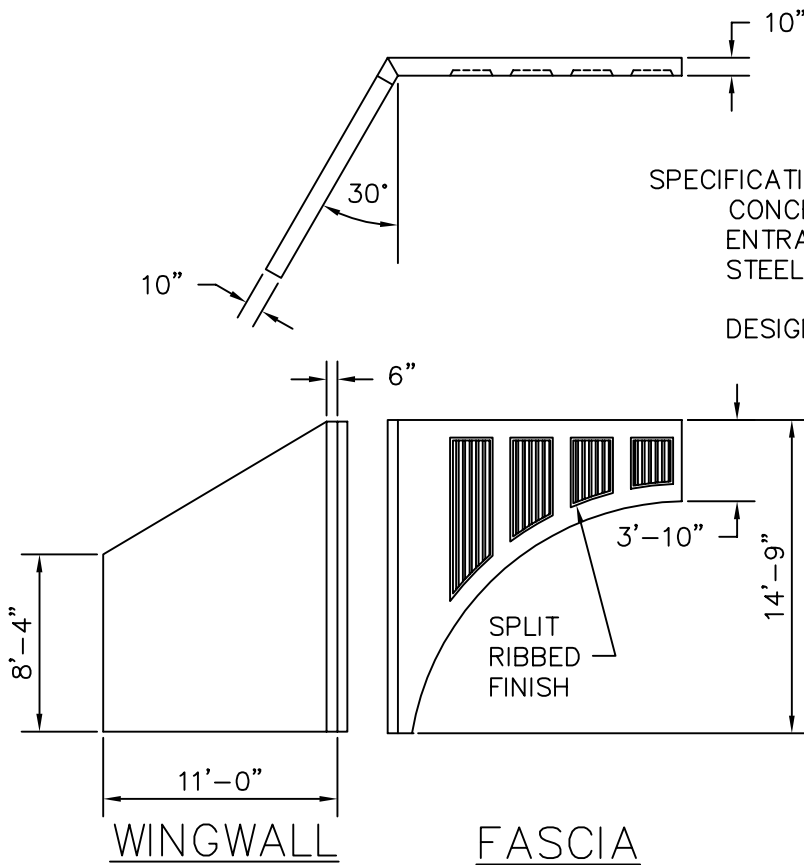
ARCH BRIDGE 26'-0" SPAN

AB-26



ARCHES

ARCH SPAN (ft.)	WATER DEPTH / AVERAGE WATERWAY AREA (ft.)				
26	2/46	4/88	6/123	8/155	10/176



SPECIFICATIONS:

CONCRETE:  
ENTRAINED AIR:  
STEEL:

5000 P.S.I. @28 DAYS  
5% - 9%

A.S.T.M. A496-A615  
GRADE 60-60 KSI.

DESIGN LOADING:

A.A.S.H.T.O. HS-20-44  
WITH 30% IMPACT AND  
EQUIVALENT SOIL PRESSURE  
OF 130 (PSI).