

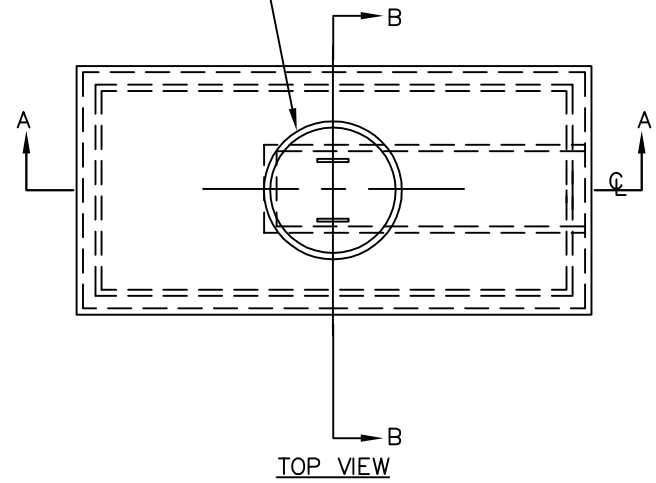


KISTNER CONCRETE
 PRODUCTS INC.
 8713 READ ROAD
 E. PEMBROKE, N.Y.
 14056
 (716) 894-2267

PRODUCT DESIGNATION
 "A" TYPE DOSING CHAMBER

DWG. NO.
 DC-A-TYPE
 1-26-90

20" DIA. CLEAR OPNG.
WITH MH COVER



SPECIFICATIONS:
 CONCRETE: 4,000 P.S.I. @ 28 DAYS.
 ENTRAINED AIR: 5% - 9%.
 STEEL: A.S.T.M. A496-A615
 GRADE 60-60 KSI.
 DESIGN LOADING: A-0.3/300PSF/WALKWAYS.
 FLOTATION FORCES NOT
 ACCOUNTED FOR.
 SIPHON: SET TO DIMENSION "C"
 WEIGHT: TOP: 1,070 LBS.
 BOTTOM: 2,327 LBS.
 TOTAL: 3,397 LBS.

SIPHON	GAL	DRAW	A	B	C	D	E
413	138	13"	29"	18"	9"	12"	23.5"
417	180	17"	29"	22"	11"	15"	27.5"

