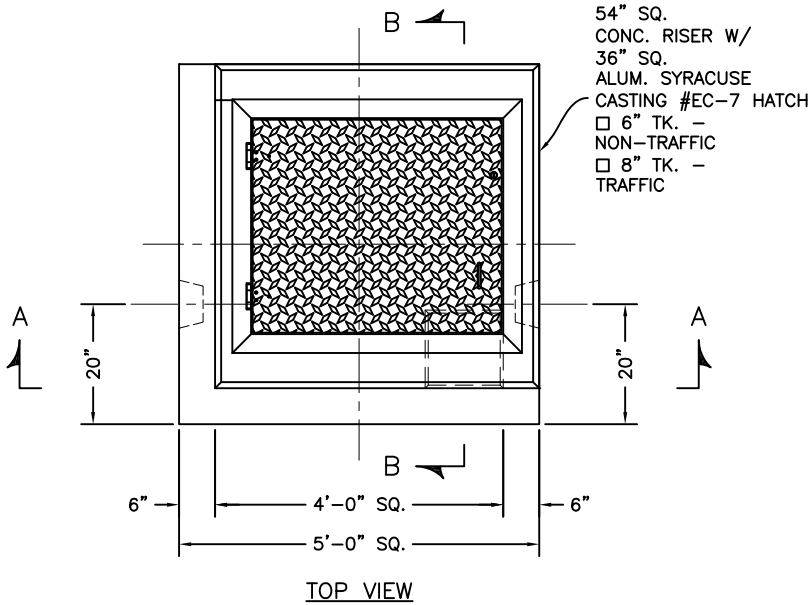




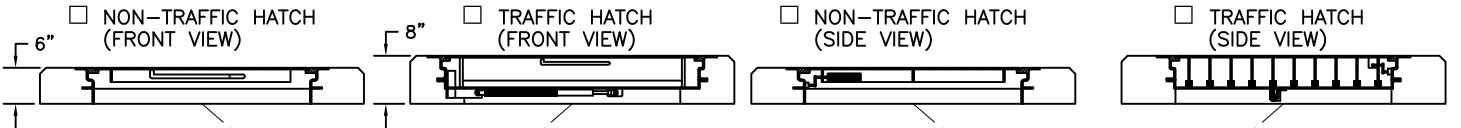
# 2" WATER METER PIT

(1 1/2" - 2" WMP)



**NOTE:**  
TRAFFIC LOADED ALUMINUM HATCHES ARE NOT DESIGNED FOR PLACEMENT IN DELIBERATE TRAFFIC AREAS. IF REQUIRED - UPGRADE TO GALVANIZED STEEL.

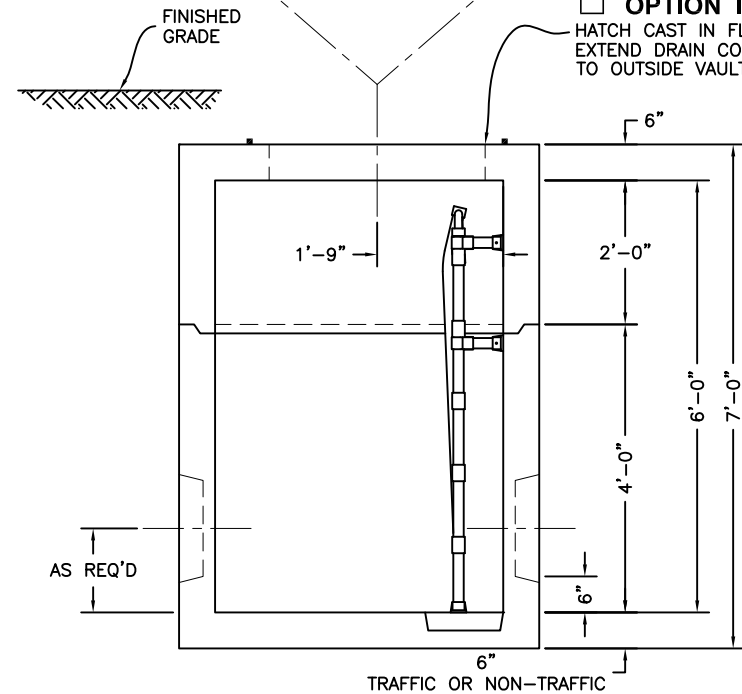
**OPTION I**



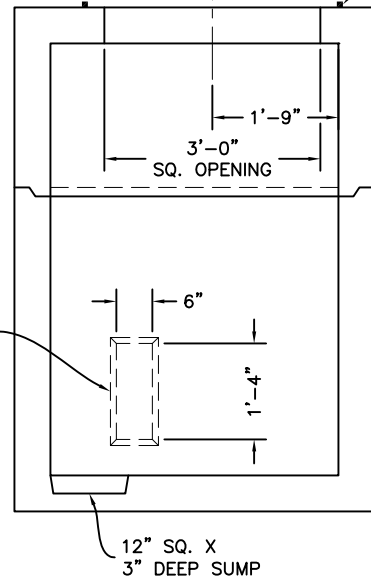
**OPTION II**

HATCH CAST IN FLUSH AS REQ'D  
EXTEND DRAIN COUPLING TO OUTSIDE VAULT WALL

1" SQ. BUTYL RUBBER SEAL



KO TYPE SLOT



- A: SPECIFICATIONS:**  
CONCRETE: 4,000 P.S.I. @ 28 DAYS  
ENTRAINED AIR: 5% - 9%  
STEEL: A.S.T.M. A496-A615  
GRADE 60-60 KSI.  
DESIGN LOADING: A.A.S.H.T.O. HS-20-44  
WITH 30% IMPACT AND  
EQUIVALENT SOIL PRESSURE  
OF 130 (PSF). FLOTATION  
FORCES NOT ACCOUNTED FOR.  
6" ROOF & BASE.
- B: SPECIFICATIONS:**  
CONCRETE: 4,000 P.S.I. @ 28 DAYS  
ENTRAINED AIR: 5% - 9%  
STEEL: A.S.T.M. A496-A615  
GRADE 60-60 KSI.  
DESIGN LOADING: A-0.3/300PSF/WALKWAYS.  
FLOTATION FORCES NOT  
ACCOUNTED FOR.  
6" ROOF & BASE.
- WEIGHT:**  
TOP SECTION: 4,970 LBS.  
BOTTOM SECTION: 7,904 LBS.  
TOTAL: 12,874 LBS.
- HOLES - CONTRACTOR TO GROUT
- WATERTIGHT BOOT SEAL
- LINK SEAL WITH STEEL SLEEVE
- LADDER ONLY
- LADDER WITH INTEGRAL LADDER UP POST
- LADDER WITH SEPARATE LADDER UP POST

O:\Drawings\New Stuff after 2-26-10\MPL\44-R.DWG