



KISTNER CONCRETE PRODUCTS INC.
8713 READ ROAD
E. PEMBROKE, N.Y.
14056
(716) 894-2267

PRODUCT DESIGNATION

4100 GALLON SEPTIC TANK - 90

DWG. NO.

ST-ST400090-M ©
1/16/07

SPECIFICATIONS:

WIEGHT 3000: TOP: 16,901 LBS.
BOTTOM: 13,692 LBS.
TOTAL: 30,593 LBS.

WIEGHT 1000: TOP: 3,823 LBS.
BOTTOM: 3,658 LBS.
TOTAL: 7,481 LBS.

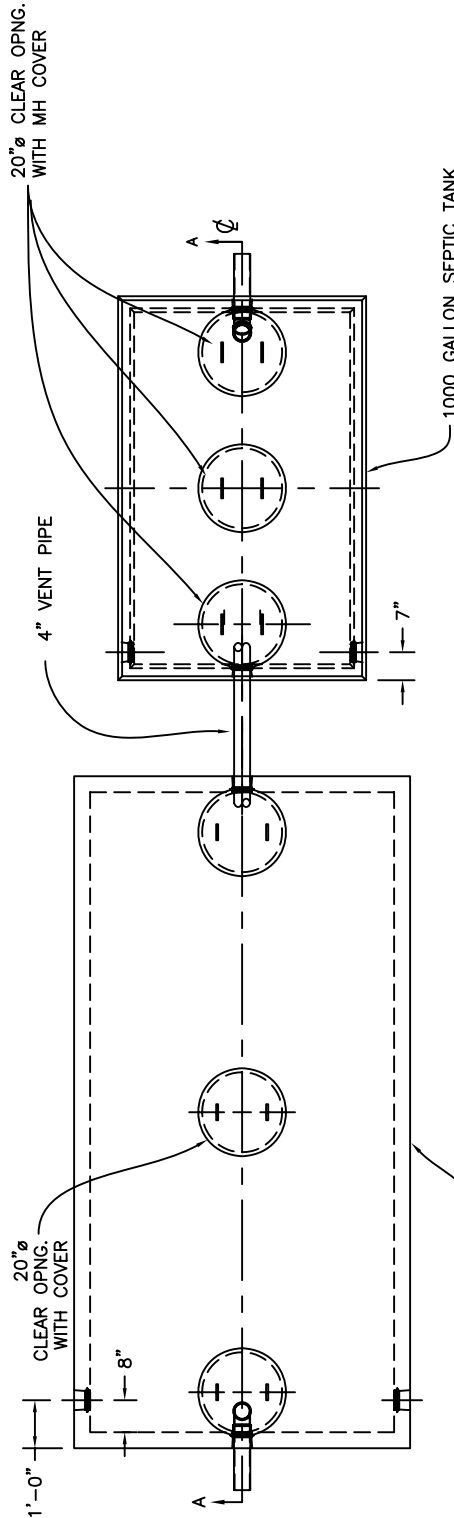
WIEGHT 4000: TOP: 3,658 LBS.
BOTTOM: 3,823 LBS.
TOTAL: 7,481 LBS.

OPTIONAL ITEMS: EFFLUENT FILTER
 GAS DEFLECTOR

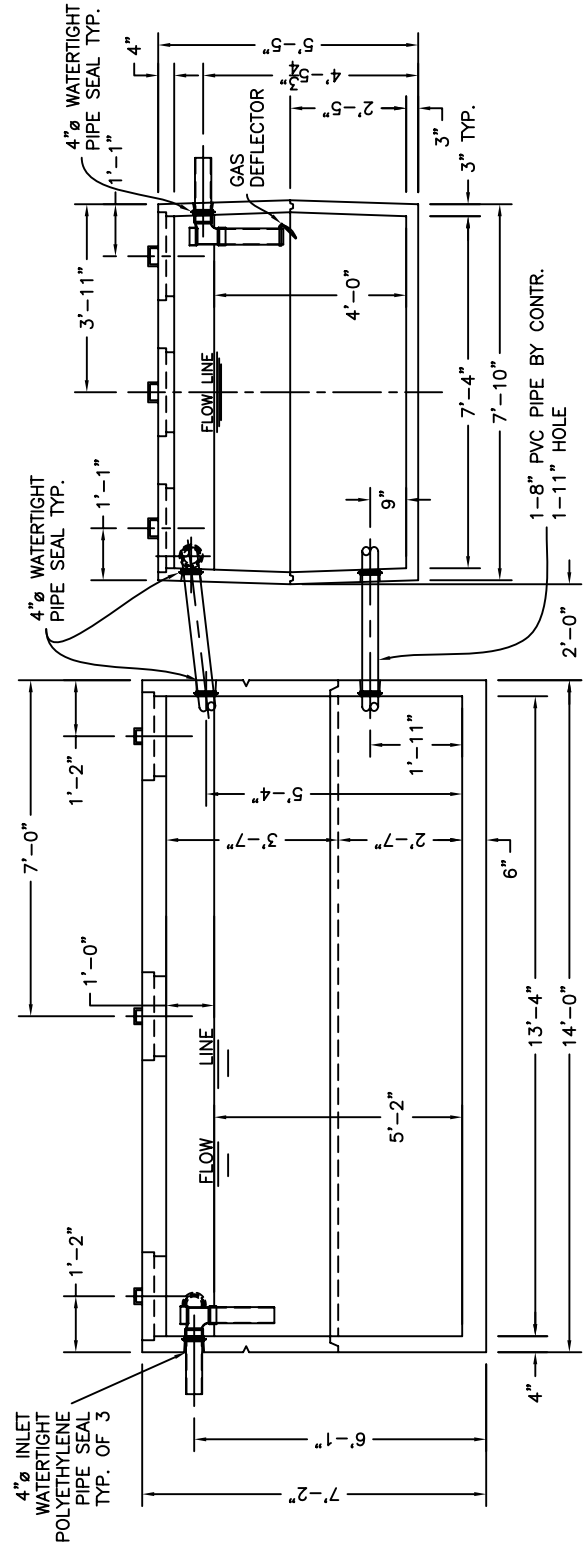
CONCRETE: 4000 P.S.I @ 28 DAYS.
ENTRAINED AIR: 5% - 9%
STEEL: A.S.T.M A496-A615
GRADE 60-60KSI.

DESIGN LOADING: A-0.3/300PSF/WALKWAYS.
FLOATION FORCES NOT ACCOUNTED FOR.

OUTLET BAFFLE: PIPE BAFFLE BY K.C.P.
COVER OVER TANK: MAX. 3' OF EARTH FILL.



TOP VIEW



SECTION A-A