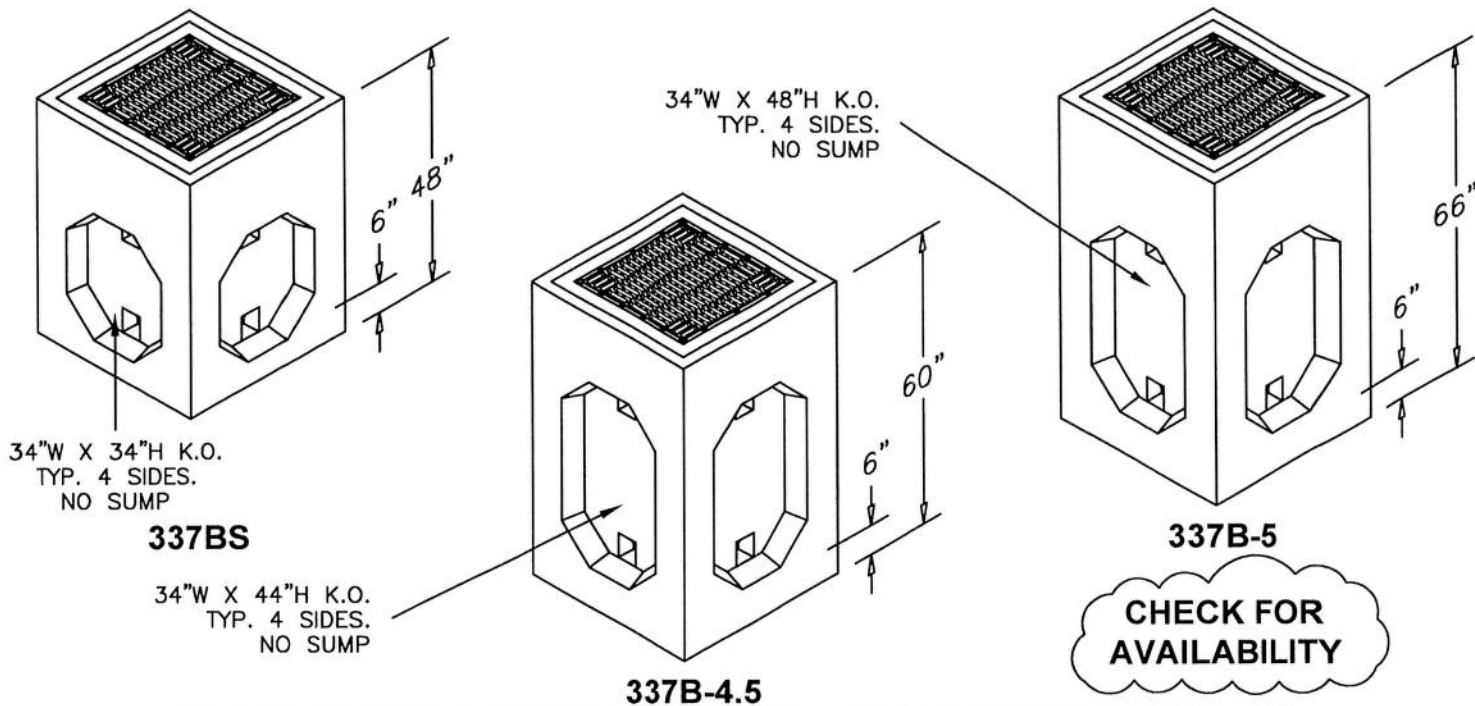




# 36" SQ. I.D. CATCH BASINS



HIGHLIGHTED PRODUCTS ARE IN STOCK AT MOST LOCATIONS - CALL TO CHECK AVAILABILITY ON ALL ITEMS

36" SQ. I.D. 6" WALL & FLOOR, H-20 TRAFFIC LOADING DESIGN				
CODE	DESCRIPTION	WEIGHT	OUTSIDE L X W	OVERALL HT
CB337BS	"CAST IN FRAME" & GRATE	4219	48" x 48"	48"
CB337B-4.5	"CAST IN FRAME" & GRATE	4678	48" x 48"	60"
CB337B-5	"CAST IN FRAME" & GRATE	4949	48" x 48"	66"
CB337-R12CAP	CAP WITH CAST IN FRAME, NO GRATE	1037	48" x 48"	12"
CB36SQG	GRATE ONLY	192	37.5" x 37.5"	N/A
CB36RF-CI	RAISED FRAME	202	44" x 44"	4"
CB3636-S-66-24	C/BASIN - 48" X 48" ROOF SLAB - W/24" ROUND OPNG.	952	48" x 48"	6"
CB3636-S-66-2424	C/BASIN - 48" X 48" ROOF SLAB - W/24" X 24" OPNG.	888	48" x 48"	6"
CB3636-S-66-30	C/BASIN - 48" X 48" ROOF SLAB - W/30" ROUND OPNG.	821	48" x 48"	6"
CB3636-S-66-36	C/BASIN - 48" X 48" ROOF SLAB - W/36" ROUND OPNG.	661	48" x 48"	6"
CB3636-S-68-2424FG	C/BASIN - 48" X 48" ROOF SLAB - 8" TK W/24" SQ F&G CAST IN FLUSH	1185	48" x 48"	8"
CB24SQG	GRATE ONLY	150	26"	N/A
CB336B-R06	RISER 6" HEIGHT, WITH KEY WAY	519	48" x 48"	6"
CB336B-R12	RISER 12" HEIGHT, WITH KEY WAY	1037	48" x 48"	12"
CB336B-R24	RISER 24" HEIGHT, WITH KEY WAY	2074	48" x 48"	24"
CB336B-R36	RISER 36" HEIGHT, WITH KEY WAY	3111	48" x 48"	36"
CB336B-R48	RISER 48" HEIGHT, WITH KEY WAY	4148	48" x 48"	48"
CB336BS	WITH KEY WAY	3572	48" x 48"	48"
CB336B-4.5	WITH KEY WAY	4006	48" x 48"	60"
CB336B-5	WITH KEY WAY	4272	48" x 48"	66"
GRADE RINGS				
CODE	DESCRIPTION	WEIGHT	OUTSIDE L X W	OVERALL HT
MHRR-24-I	24" DIA. X 3" TK.	196	40"	3"
MHRR-30-06	30" DIA. X 6" TK.	350	42"	6"
MHRR-36-06	36" DIA. X 6" TK.	567	52"	6"
FRAME & COVERS				
CODE	DESCRIPTION	WEIGHT	OUTSIDE L X W	OVERALL HT
MH-FC-F3	24" DIA. 3" FRAME ONLY	115	32"	3"
MH-FC-F7	24" DIA. 7" FRAME ONLY	180	34"	7"
MH-FC-CSP	24" DIA. COVER - PLAIN SOLID	120	24"	N/A
MH-FC-CVP	24" DIA. COVER - PLAIN VENTED	120	24"	N/A
MH-FC-CSSA	24" DIA. COVER - "SANITARY" SOLID	120	24"	N/A
MH-FC-CSST	24" DIA. COVER - "STORM" SOLID	120	24"	N/A
MH-FC-CSSABG	24" DIA. 7" FRAME & COVER - BOLTED & GASKETED - "SANITARY"	310	24"	N/A
MH-FC-G	24" DIA. GRATE	120	24"	N/A
FMH-FC30-F6	30" DIA. FRAME - 6 1/2"	143	40"	6.5"
FMH-FC30-CP	30" DIA. COVER - PLAIN SOLID	206	32"	N/A
FMH-FC36-F4	36" DIA. FRAME - 4"	254	45.5"	4"
FMH-FC36-CP	36" DIA. COVER - PLAIN SOLID	398		N/A
WMP-HATCH-36C	36" SQ. ALUMINUM NON-TRAFFIC HATCH CAST IN 6" HIGH CURB	606	48" x 48"	6"
WMP-HATCH-36TMCI	36" SQ. CAST IRON TRAFFIC HATCH - TOP MOUNT	614	45" x 45"	5"

L:\CADD\MINI CATALOG\Mini Catalog Edition K-3\Catalog 2019\PG 65 36 SQ CATCH BASINS 2019.dwg