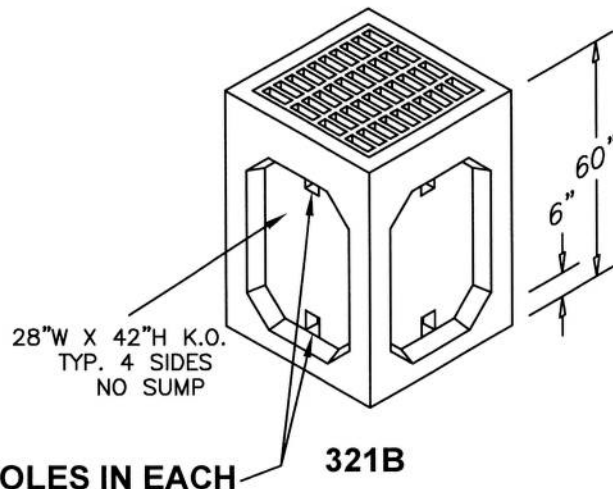
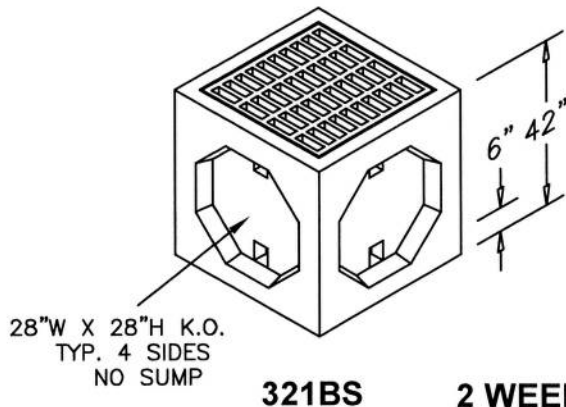


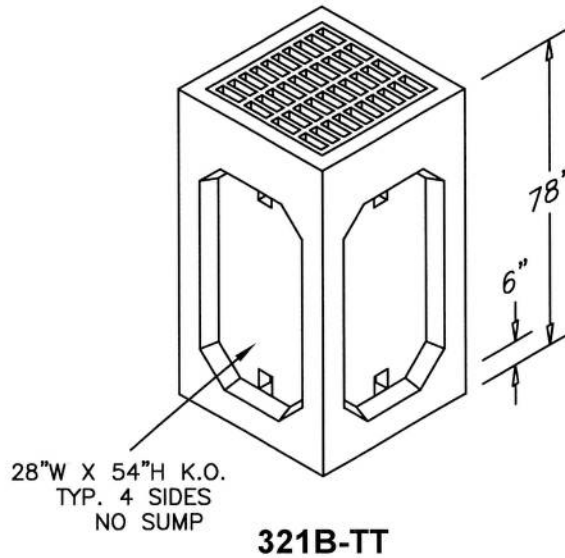
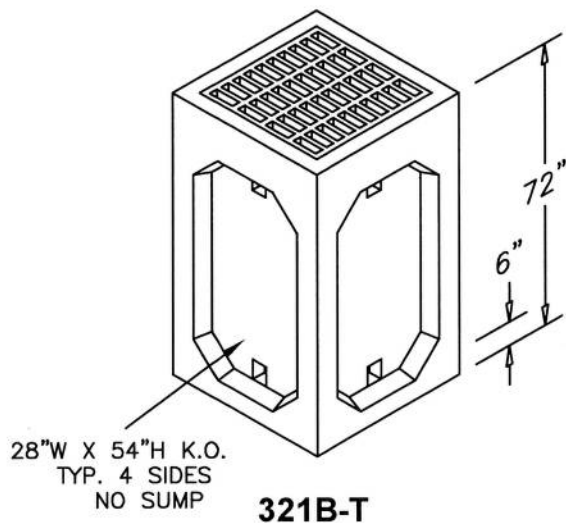


30" SQ. CATCH BASINS

**NOTE: ALL KNOCKOUTS (K.O.) HAVE
2" - 2 1/2" CONCRETE THICKNESS**



**2 WEEP HOLES IN EACH
KNOCKOUT (TYPICAL)**



30" SQ. CATCH BASIN, 6" WALL & FLOOR, H-20 TRAFFIC				
CODE	DESCRIPTION	WEIGHT	OUTSIDE LENGTH & WIDTH	OVERALL HEIGHT
CB321BS	"CAST IN FRAME" & GRATE	2800 LBS.	42" X 42"	42"
CB321B	"CAST IN FRAME" & GRATE	4000 LBS.	42" X 42"	60"
CB321B-R6CAP	CAP WITH CAST IN FRAME, NO GRATE		42" X 42"	6"
CB30SQG	GRATE ONLY	227 LBS.	32" X 32"	N/A
CB30RF	RAISED FRAME	117 LBS.	36" X 36"	4 1/2"
CB320-R06	RISER 6" HEIGHT, WITH KEYWAY		42" X 42"	6"
CB320-R12	RISER 12" HEIGHT, WITH KEYWAY		42" X 42"	12"
CB320-R24	RISER 24" HEIGHT, WITH KEYWAY		42" X 42"	24"
CB320BS	WITH KEYWAY	2500 LBS.	42" X 42"	42"
CB320B	WITH KEYWAY	3700 LBS.	42" X 42"	60"
CB3030-S-66-2424	ROOF WITH 24" SQ. OPNG.	611 LBS.	42" X 42"	6"
CB24SQG	GRATE ONLY	150 LBS.	26" X 26"	N/A
CB24RF	RAISED FRAME (2" HEIGHT) - ECONOMY	25 LBS.	32" X 32"	2"
CB24RF-CI	RAISED FRAME (4" HEIGHT) - PREMIUM	200 LBS.	34" X 34"	4"
MH-FC-F4-SF	24" SQUARE TO ROUND 4" FRAME	124 LBS.	32" X 32"	4"
MH-FC-G	24" DIA. GRATE	120 LBS.	24" DIA.	N/A
MH-FC-CSP	24" DIA. COVER - PLAIN SOLID	120 LBS.	24" DIA.	N/A
MH-FC-CSSABG-SF	24" SQUARE TO ROUND 4" FRAME & COVER "SANITARY" BOLTED & GASKETED	384 LBS.	32" X 32"	4"

L:\CADD\MINI CATALOG\Mini Catalog Edition K-3\Catalog 2019\PG 64 30 sq. catch basin w frame-grate 2019.dwg