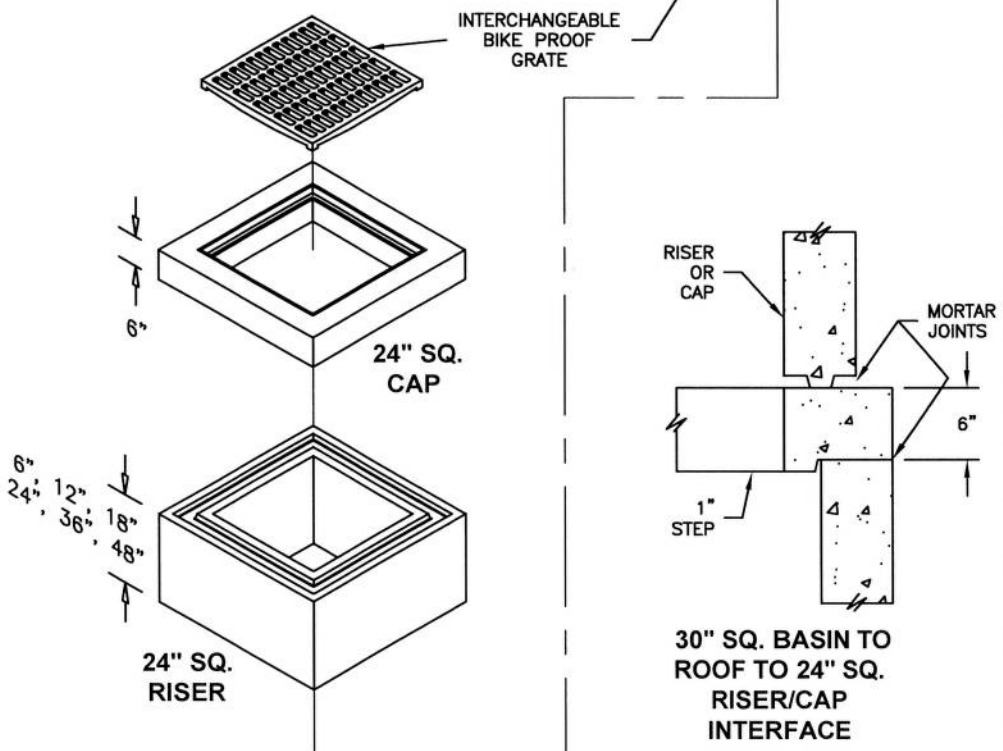
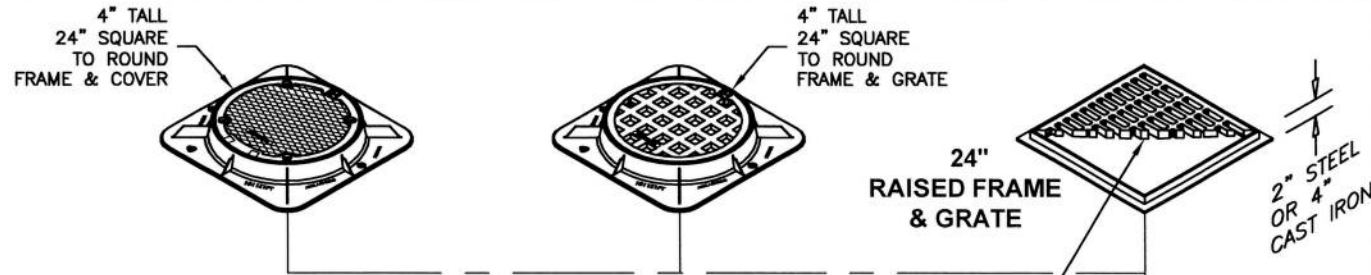


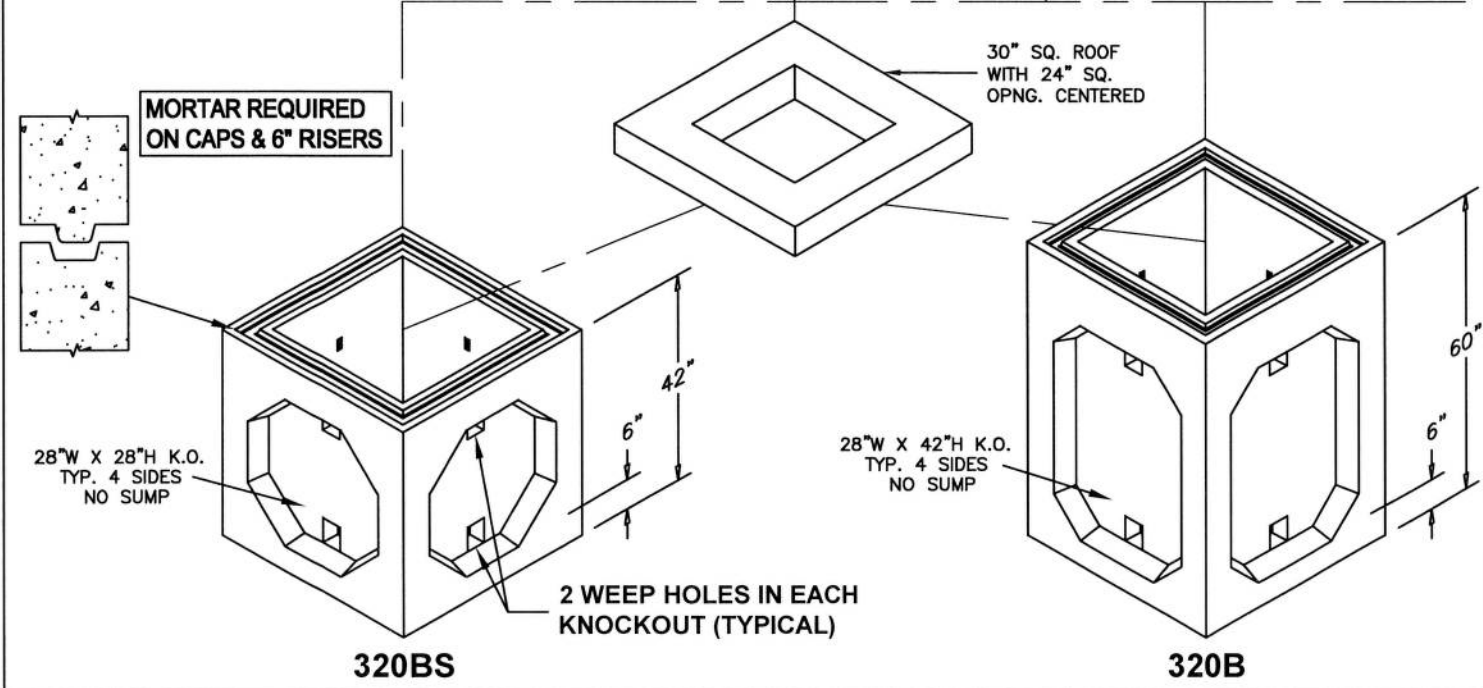


30" SQ. BASIN - 24" SQ. / ROUND OPTION



NOTE:
ALL KNOCKOUTS (K.O.) HAVE 2" - 2 1/2" CONCRETE THICKNESS

BENEFITS OF KEY JOINT
A. SHEAR
B. POSITIVE ALIGNMENT
C. SAVE TIME AND MONEY

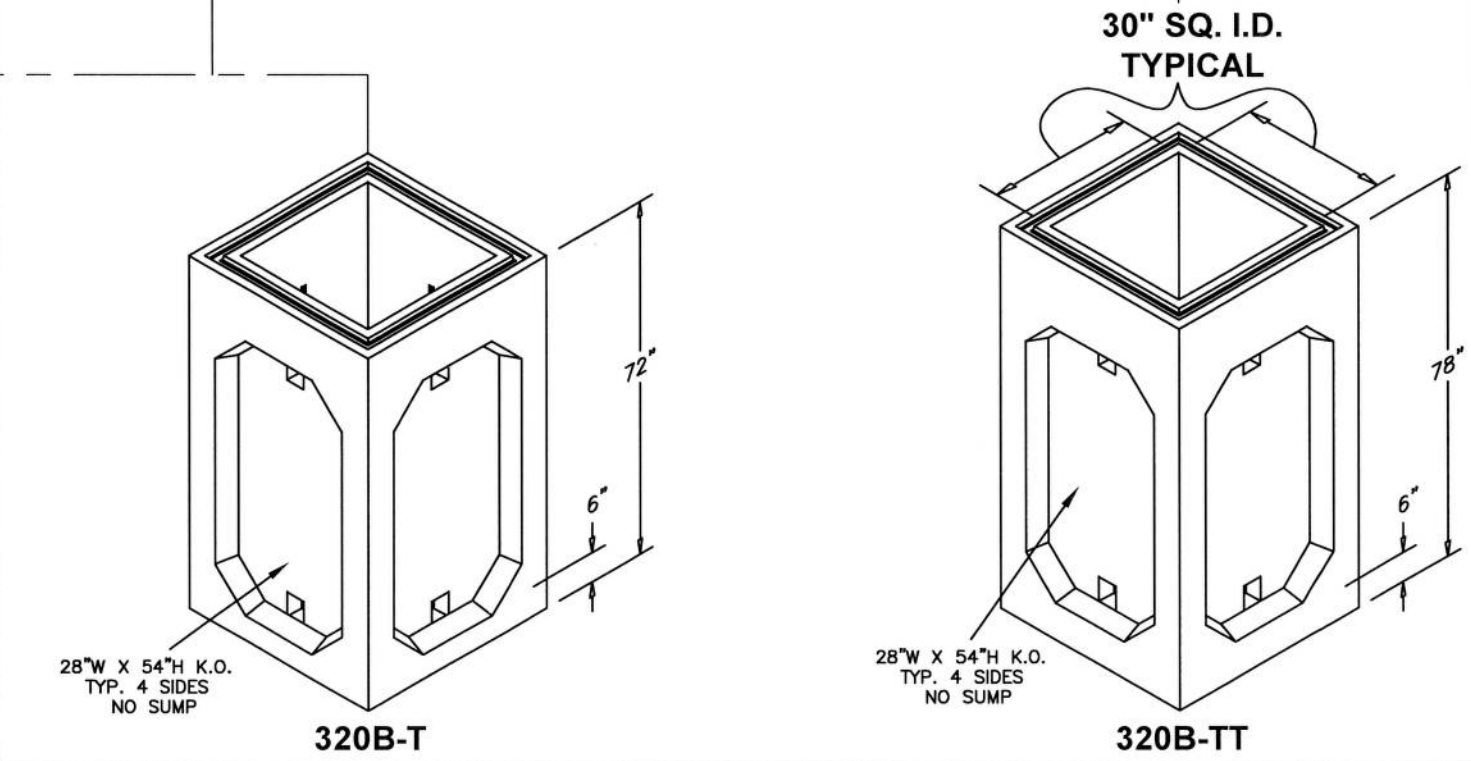
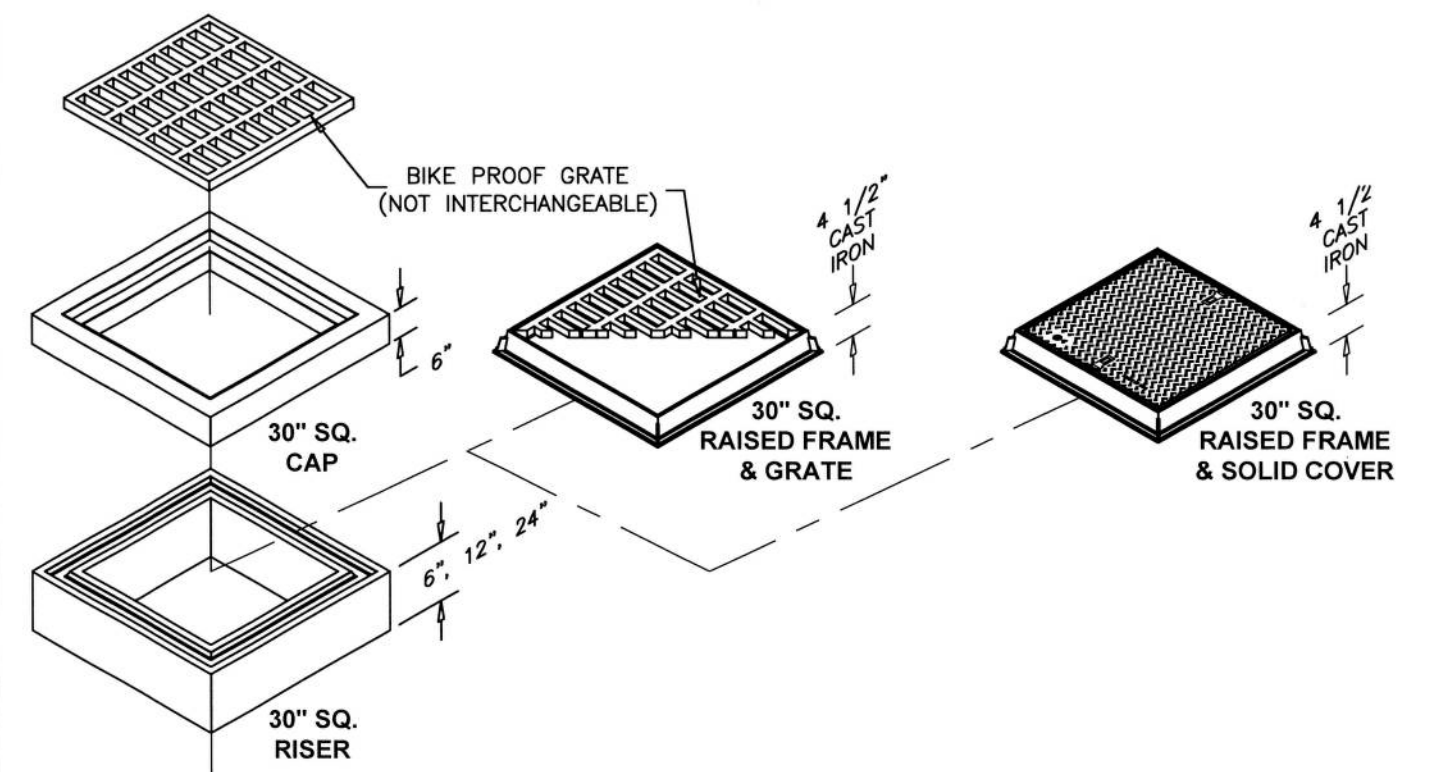


320BS

320B



30" SQ. BASIN - 30" SQ. TOP OPTION



320B-T

320B-TT

L:\CADD\MINI CATALOG\Mini Catalog Edition K-3\Catalog 2019\PGS XX-XY CATCH BASIN OPTIONS 2.dwg