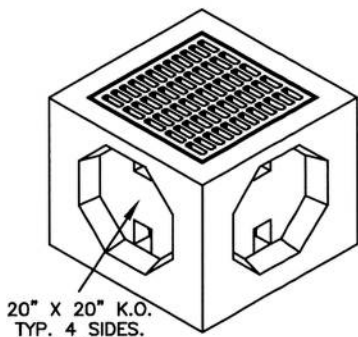




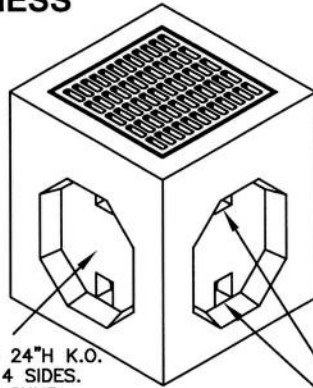
24" SQ. I.D. CATCH BASINS

**NOTE: ALL KNOCKOUTS (K.O.) HAVE
2" - 2 1/2" CONCRETE THICKNESS**



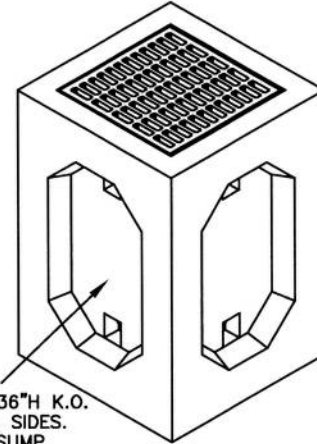
20" X 20" K.O.
TYP. 4 SIDES.
NO SUMP

316BSS



20" W X 24" H K.O.
TYP. 4 SIDES.
NO SUMP

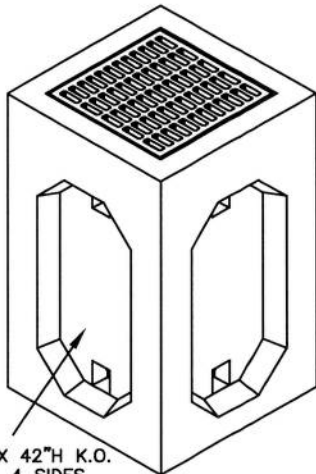
316BS



20" W X 36" H K.O.
TYP. 4 SIDES.
NO SUMP

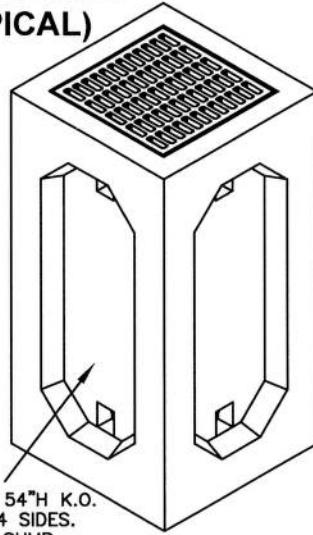
316B-4

**2 WEEP HOLES IN EACH
KNOCKOUT (TYPICAL)**



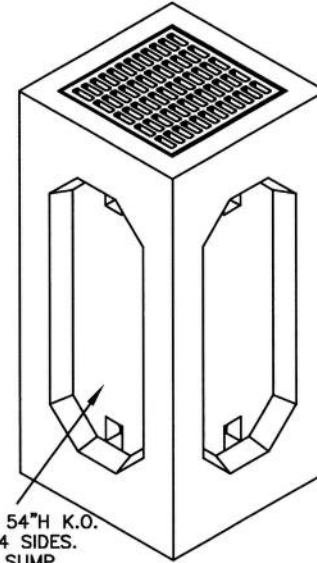
20" W X 42" H K.O.
TYP. 4 SIDES.
NO SUMP

316B



20" W X 54" H K.O.
TYP. 4 SIDES.
NO SUMP

316B-T



20" W X 54" H K.O.
TYP. 4 SIDES.
NO SUMP

316B-TT

24" SQ. I.D. 6" WALL & FLOOR, H-20 TRAFFIC

CODE	DESCRIPTION	WEIGHT	OUTSIDE LENGTH & WIDTH	OVERALL HEIGHT
CB316BSS	"CAST IN FRAME" & GRATE	1918 LBS.	36" X 36"	30"
CB316BS	"CAST IN FRAME" & GRATE	2432 LBS.	36" X 36"	42"
CB316B-4	"CAST IN FRAME" & GRATE	2844 LBS.	36" X 36"	54"
CB316B	"CAST IN FRAME" & GRATE	3051 LBS.	36" X 36"	60"
CB316B-T	"CAST IN FRAME" & GRATE	3463 LBS.	36" X 36"	72"
CB316B-TT	"CAST IN FRAME" & GRATE	3833 LBS.	36" X 36"	78"
CB316-R6CAP	CAP WITH CAST IN FRAME, NO GRATE	370 LBS.	36" X 36"	6"
CB24SQG	GRATE ONLY	150 LBS.	26" X 26"	N/A
CB24RF	RAISED FRAME (2" HEIGHT)-Economy	25 LBS.	32" X 32"	2"
CB24RF-CI	RAISED FRAME (4" HEIGHT)-Premium	200 LBS.	34" X 34"	4"
* MH-FC-F4-SF	24" SQUARE TO ROUND 4" FRAME	124 LBS.	32" X 32"	4"
* MH-FC-G	24" DIA. GRATE	120 LBS.	24" DIA.	N/A
* MH-FC-CSP	24" DIA. COVER - PLAIN SOLID	120 LBS.	24" DIA.	N/A
CB315B-R06	RISER 6" HEIGHT, WITH KEYWAY	370 LBS.	36" X 36"	6"
CB315B-R12	RISER 12" HEIGHT, WITH KEYWAY	740 LBS.	36" X 36"	12"
CB315B-R18	RISER 18" HEIGHT, WITH KEYWAY	1111 LBS.	36" X 36"	18"
CB315B-R24	RISER 24" HEIGHT, WITH KEYWAY	1480 LBS.	36" X 36"	24"
CB315B-R36	RISER 36" HEIGHT, WITH KEYWAY	2222 LBS.	36" X 36"	36"
CB315B-R48	RISER 48" HEIGHT, WITH KEYWAY	2963 LBS.	36" X 36"	48"
CB315BSS	WITH KEYWAY	1718 LBS.	36" X 36"	30"
CB315BS	WITH KEYWAY	2232 LBS.	36" X 36"	42"
CB315B-4	WITH KEYWAY	2644 LBS.	36" X 36"	54"
CB315B	WITH KEYWAY	2851 LBS.	36" X 36"	60"
CB315B-T	WITH KEYWAY	3263 LBS.	36" X 36"	72"
CB315B-TT	WITH KEYWAY	3633 LBS.	36" X 36"	78"

* SEE HEAVY DUTY ROUND EXTENSION ACCESSORIES FOR ADDITIONAL OPTIONS.

L:\CADD\MINI CATALOG\Mini Catalog Edition K-3\Catalog 2019\PG 62 24 SQ Catch Basins w frame-grate 2019.dwg