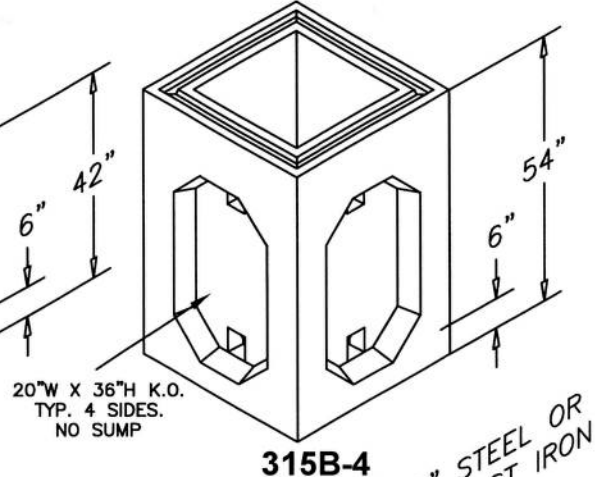
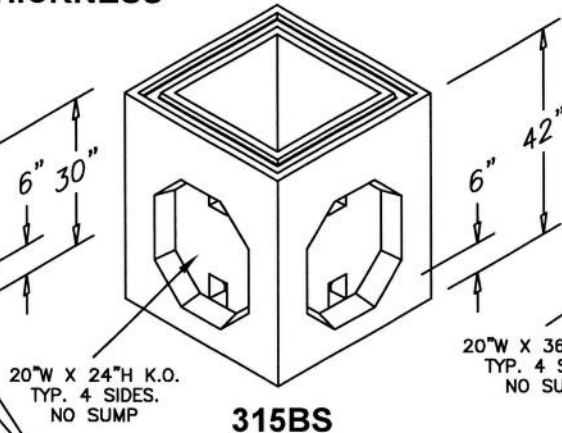
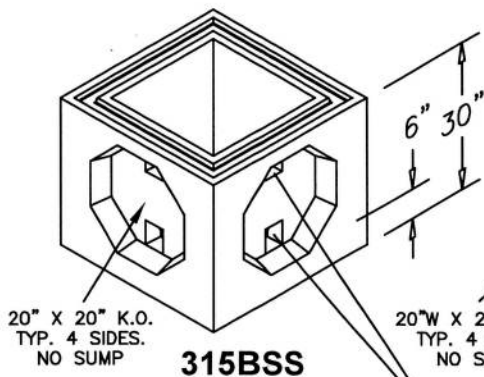




# 24" SQ. I.D. CATCH BASINS

**NOTE: ALL KNOCKOUTS (K.O.) HAVE  
2" - 2 1/2" CONCRETE THICKNESS**



**2 WEEP HOLES IN EACH  
KNOCKOUT (TYPICAL)**

**BENEFITS OF KEY JOINT**  
A. SHEAR  
B. POSITIVE ALIGNMENT  
C. SAVE TIME AND MONEY

INTERCHANGEABLE  
BIKE PROOF  
GRATE

**RAISED  
FRAME  
& GRATE**

2" STEEL OR  
4" CAST IRON

**CAP**

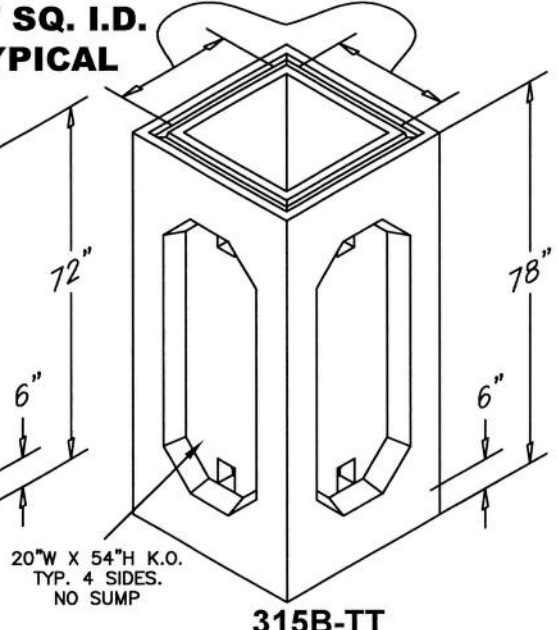
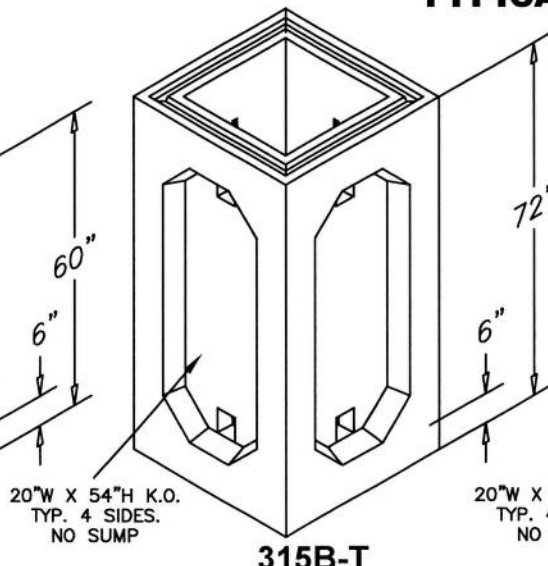
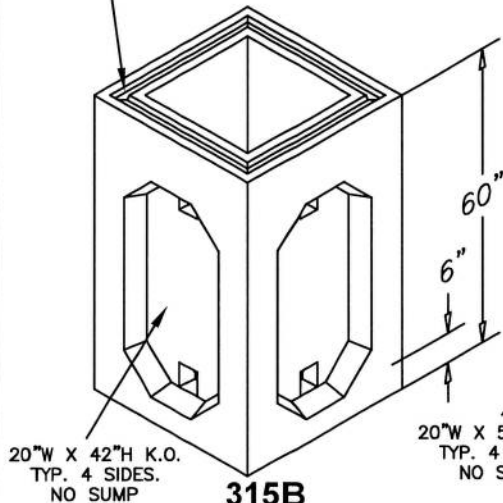
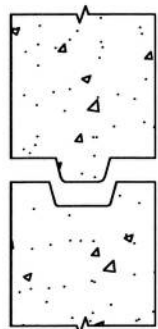
**24" SQ. TO ROUND  
FRAME & COVER**

MORTAR REQUIRED  
ON CAPS & 6" RISERS

**24" SQ. TO ROUND  
FRAME & GRATE**

**RISER**

**24" SQ. I.D.  
TYPICAL**



L:\CADD\MINI CATALOG\Mini Catalog Edition K-3\Catalog 2019\PG 61 24 SQ CATCH BASIN 2019.dwg