



KISTNER CONCRETE PRODUCTS INC.
8713 READ ROAD
E. PEMBROKE, N.Y.
14056
(716) 894-2267

PRODUCT DESIGNATION

1500 GALLON SEPTIC TANK

DWG. NO.

ST-ST1500-II ©

1-15-07

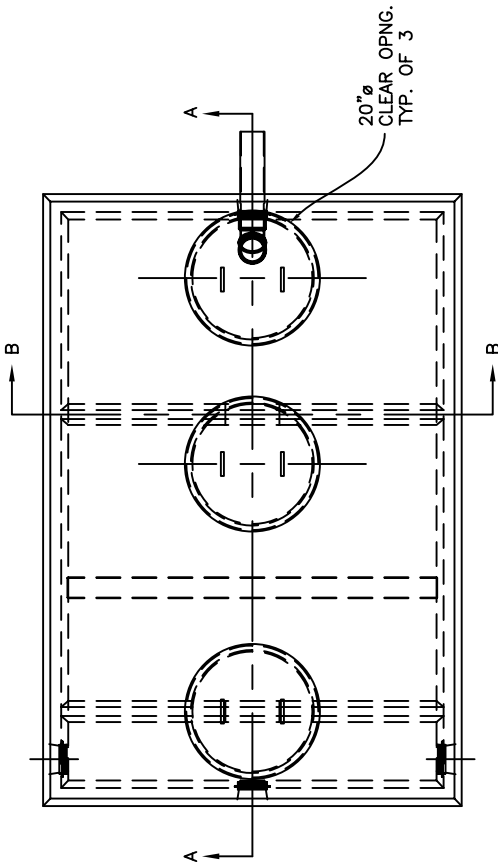
SPECIFICATIONS:
 CONCRETE: 4000 P.S.I @ 28 DAYS.
 ENTRAINED AIR: 5% - 9%
 STEEL: A.S.T.M A496-A615 GRADE 60-60KSI.
 DESIGN LOADING: A-0.3/300PSF/WALKWAYS. FLOTATION FORCES NOT ACCOUNTED FOR.

WEIGHT:
 TOP SECTION: 5,213 LBS.
 BOTTOM SECTION: 4,778 LBS.
 TOTAL: 9,991 LBS.

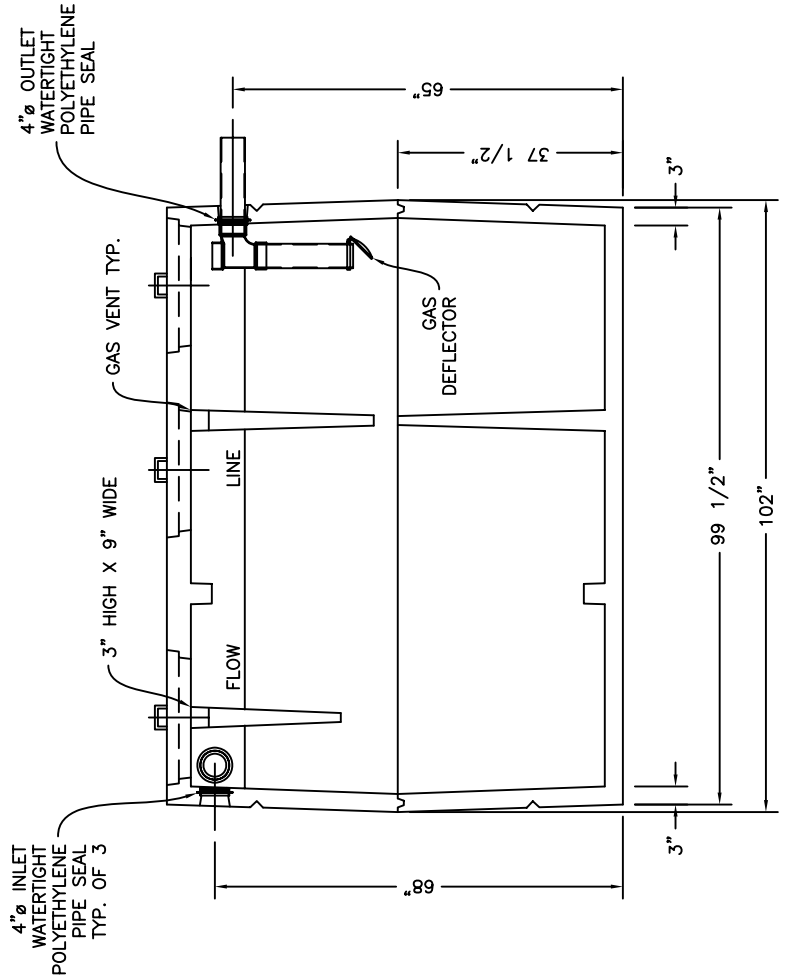
OUTLET BAFFLE: PIPE BAFFLE BY K.C.P.

OPTIONAL ITEMS: EFFLUENT FILTER GAS DEFLECTOR

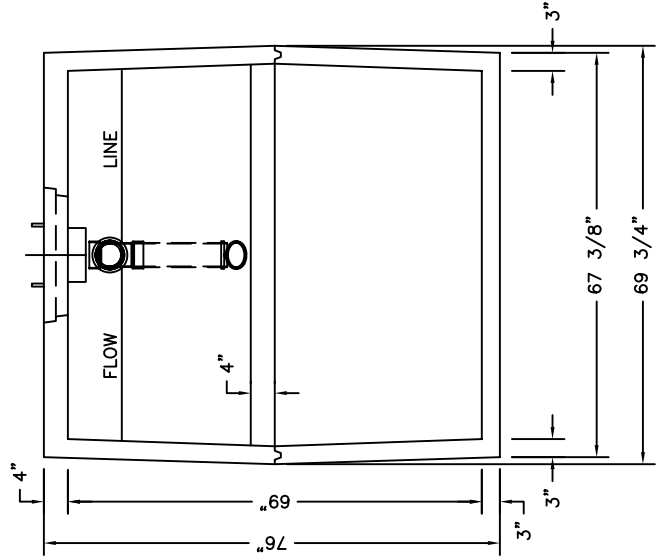
COVER OVER TANK: MAX 3' OF EARTH FILL.



PLAN



SECTION A-A



SECTION B-B