



KISTNER CONCRETE PRODUCTS INC.  
8713 READ ROAD  
E. PEMROKE, N.Y.  
14056  
(716) 894-2267

PRODUCT DESIGNATION

1250 SEPTIC/550 PUMP COMBINATION TANK

DWG. NO.

ST-1250\_550COMBTANK

3-22-13

**SP-8**

**SPECIFICATIONS:**  
**CONCRETE:** 5,000 P.S.I. @ 28 DAYS.  
**ENSTRAINED AIR:** 5% - 9%.  
**STEEL:** A.S.T.M. A496-A615 GRADE 60-60 KSI.  
 GRADE 60-60 KSI.  
**DESIGN LOADING:** 300PSF/WALKWAY.  
 ACI-318-99 LOAD FACTORS. NON-TRAFFIC.  
 EQUIVALENT SOIL PRESSURE OF 40 (PCF).  
**LIVE LOAD:** 300 PSF.  
**IMPACT:** NO IMPACT.  
**SURCHARGE:** NONE.  
**LOAD FACTOR LL:** 1.7.  
**LOAD FACTOR DL:** 1.4.  
**EARTH FILL:** 3'.  
**WATER TABLE:** 3' BELOW GRADE.

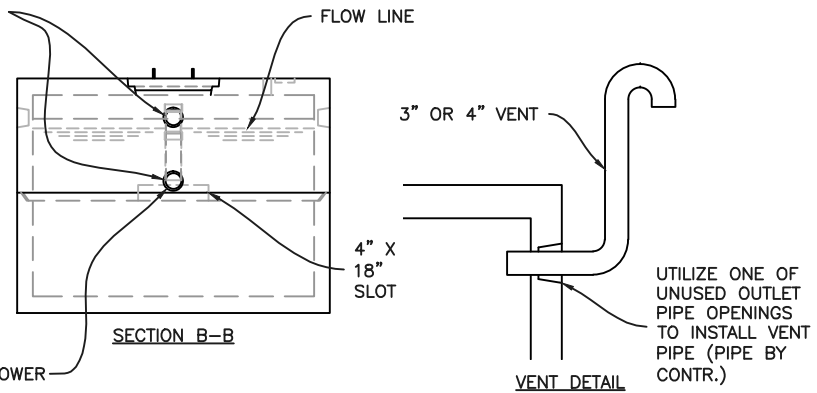
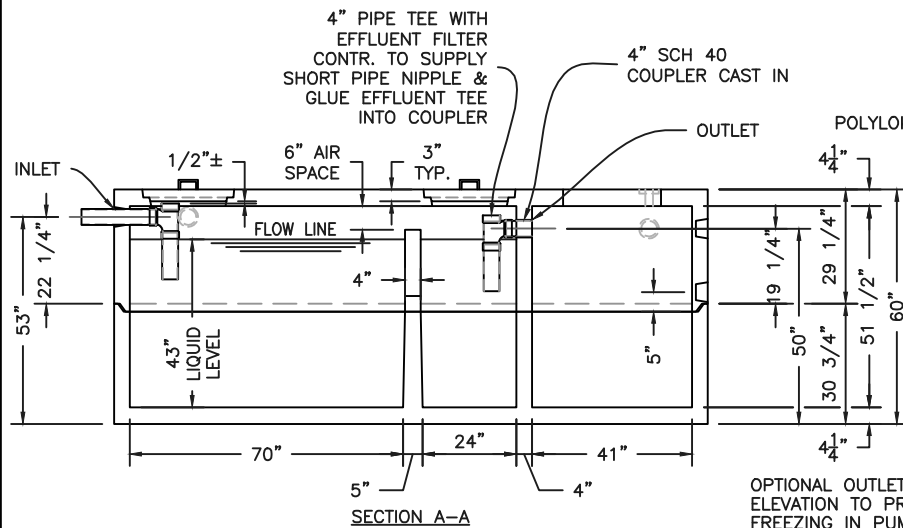
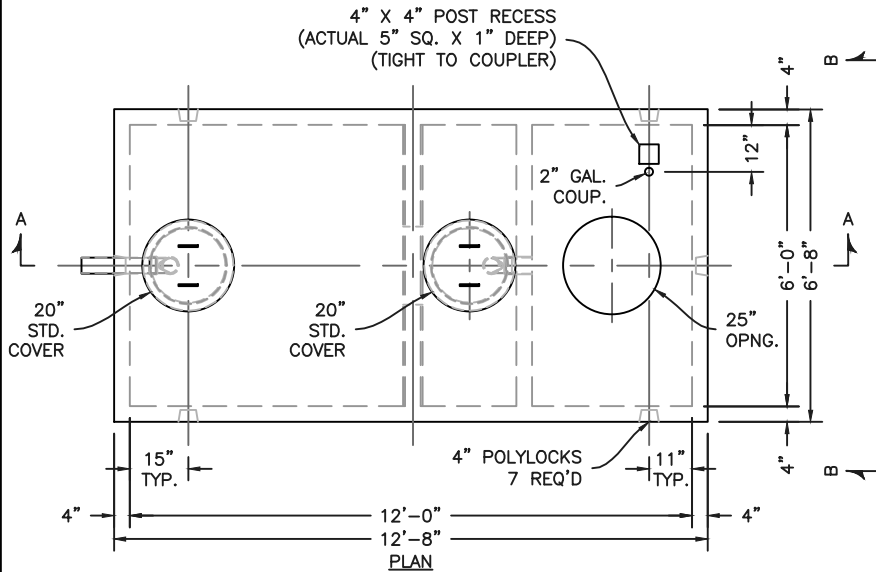
**WEIGHT:**  
**TOP SECTION:** 8,400 LBS.  
**BOTTOM SECTION:** 8,400 LBS.  
**TOTAL:** 16,800 LBS.

**VOLUME:**  
**1ST COMP.:** 929 GAL.  
**2ND COMP.:** 321 GAL.  
**TOTAL:** 1,250 GAL.  
**PUMP COMP.:** 550 GAL.

WATERTIGHT ASSEMBLY IS THE RESPONSIBILITY OF THE INSTALLING CONTRACTOR. ASK FOR KISTNER "WATERTIGHT JOINT INSTALLATION" DETAIL.

**PIPE OPENINGS STOCK:**

- PIPE SEALS REQUIRED
- 1 1/2", 2", 3", 4" PVC - OPENING WITH SEAL - STOCK
- GROUTED OPENINGS ONLY - REQUIRED
- 6" PVC - TO BE BROKEN OUT BY CONTRACTOR
- 8" PVC - TO BE BROKEN OUT BY CONTRACTOR



OPTIONAL OUTLET AT LOWER ELEVATION TO PREVENT FREEZING IN PUMP DISCHARGE LINE WHEN SHALLOW COVER OCCURS

UTILIZE ONE OF UNUSED OUTLET PIPE OPENINGS TO INSTALL VENT PIPE (PIPE BY CONTR.)