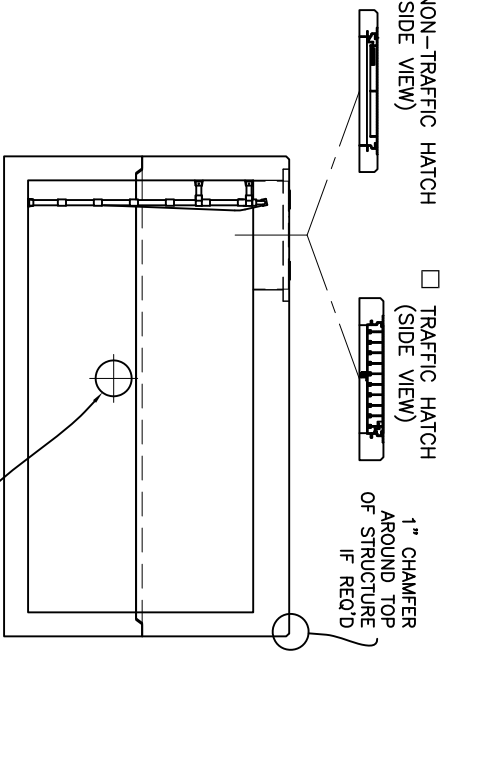
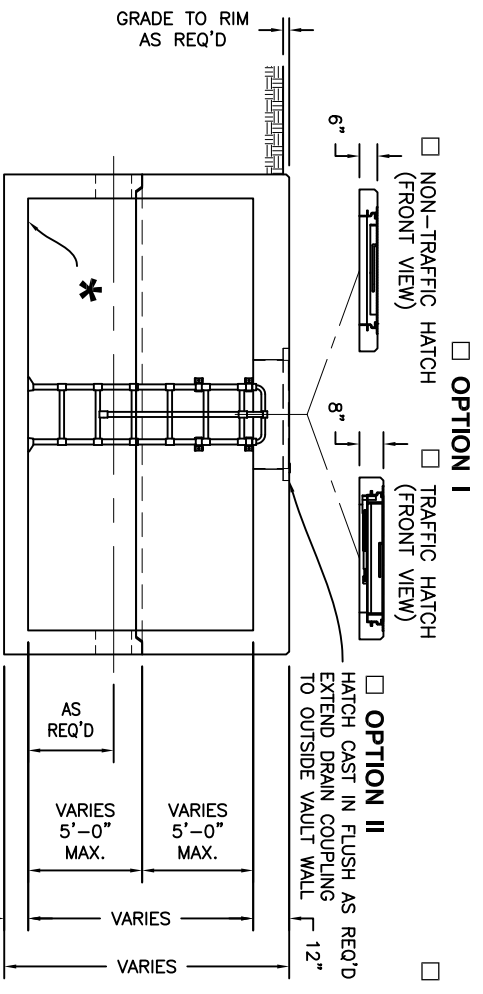
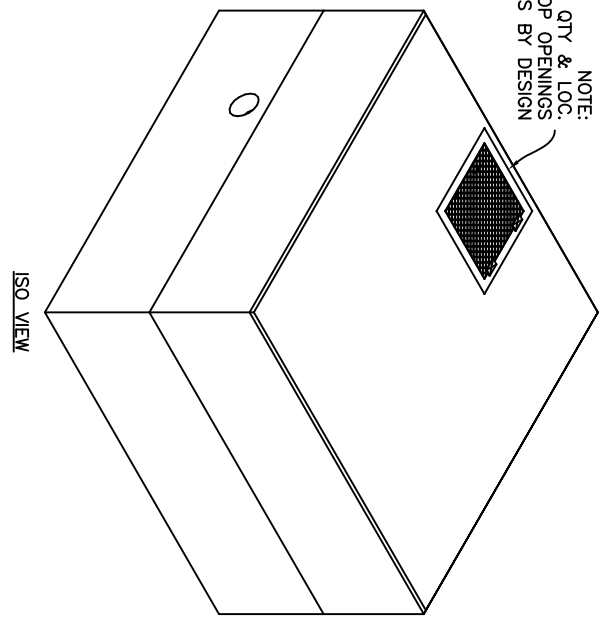
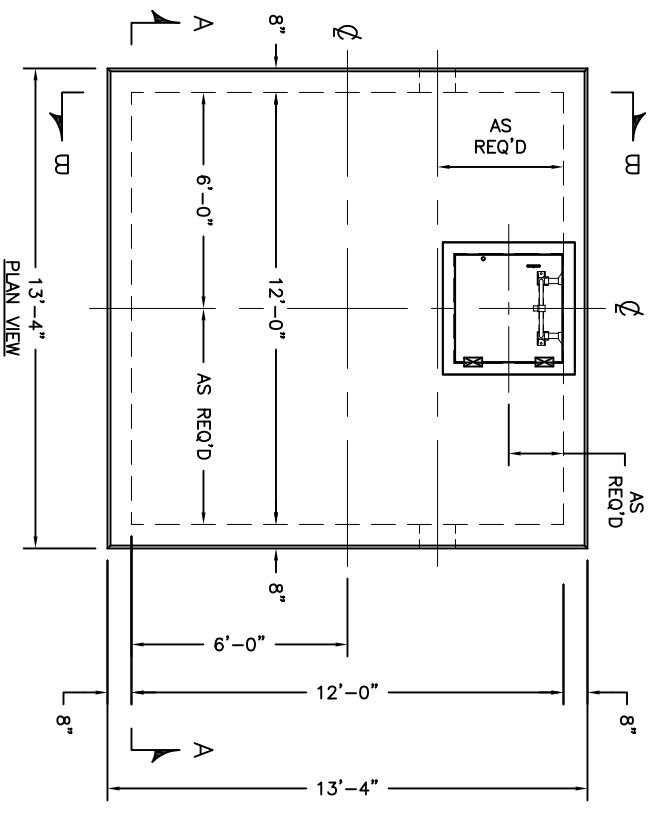


**SP-7A**  
 SPECIFICATIONS:  
 CONCRETE: 5,000  
 ENRAINED AIR:  
 STEEL:  
 DESIGN LOADING:  
 P.S.I. @ 28 DAYS:  
 5% - 8%  
 A.S.T.M. A496-A615  
 GRADE 60-80 KSI.  
 EPOXY COATED (IF REQ'D).  
 A.C.I. 318-99 TRAFFIC. USE A.C.I. LOAD FACTORS.  
 A.A.S.H.T.O. METHOD OF DESIGN. EQUIVALENT  
 SOIL PRESSURE OF 40 (PCF).

LIVE LOAD:  
 EARTH FILL:  
 WATER TABLE:  
 H2O.  
 0 TO 3'  
 AT GRADE.  
 (STRUCTURAL)  
 1' BELOW GRADE  
 (BUOYANCY).

- HOLES - CONTRACTOR TO GROUT
  - WATERTIGHT BOOT SEAL
  - LINK SEAL WITH STEEL SLEEVE
  - LADDER ONLY
  - LADDER WITH INTEGRAL LADDER UP POST
  - LADDER WITH SEPARATE LADDER UP POST
- NOTE:  
 TRAFFIC LOADED ALUMINUM HATCHES ARE NOT DESIGNED  
 FOR PLACEMENT IN DELIBERATE TRAFFIC AREAS. IF REQUIRED -  
 UPGRADE TO GALVANIZED STEEL.



\* CONTRACTOR TO POUR CAST-IN-PLACE CONCRETE INTO BASE TO CREATE SLOPED FLOOR AND TO CREATE SUMP IN CORNER, IF REQUIRED.