

SPECIFICATIONS:

CONCRETE: 5,000 PSI @ 28 DAYS

ENTRAINED AIR: 5%-9%

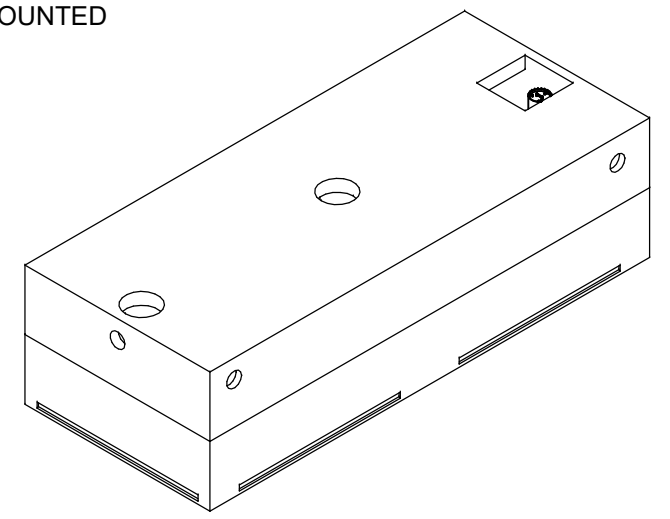
STEEL: ASTM A496-A615 GRADE 60-60 KSI.

DESIGN LOADING: AASHTO HS-20-44 WITH 30% IMPACT AND EQUIVALENT SOIL PRESSURE OF 30 PCF. 6 FT. OF FILL OVER TOP OF TANK.

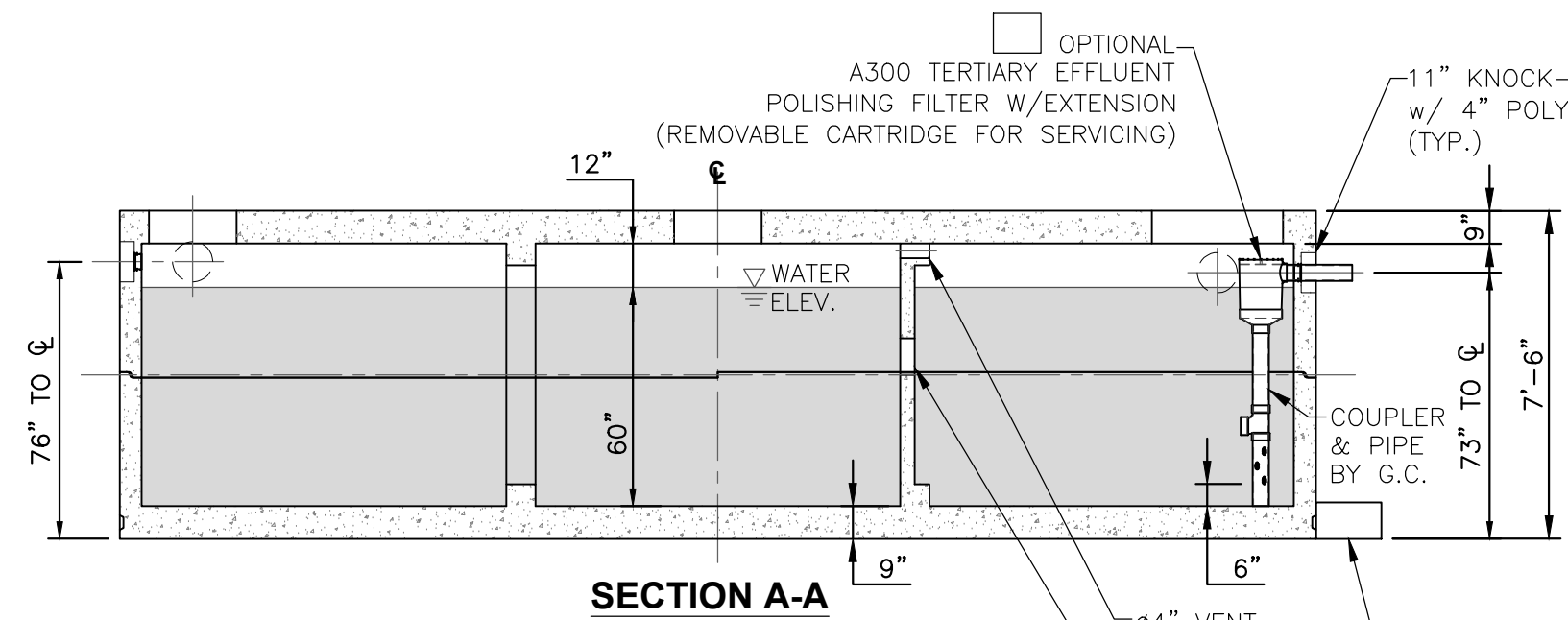
FLOATATION FORCES: WATER TABLE 3 FT. DOWN FROM GRADE. FLOATATION FORCES NOT ACCOUNTED FOR.

WEIGHTS: TOP: 53,200 LBS
BOTTOM: 55,000 LBS
TOTAL: 108,200 LBS

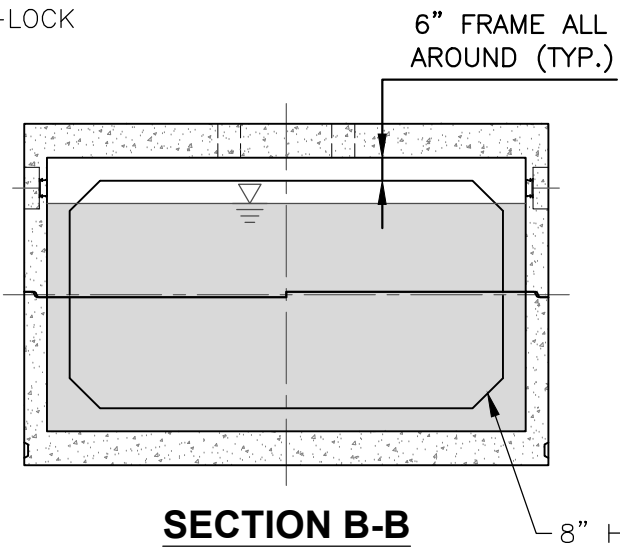
DISTANCE FROM FLOOR TO HOLE INVERT		GALLONAGE
INLET	OUTLET	
63"	60"	10,000



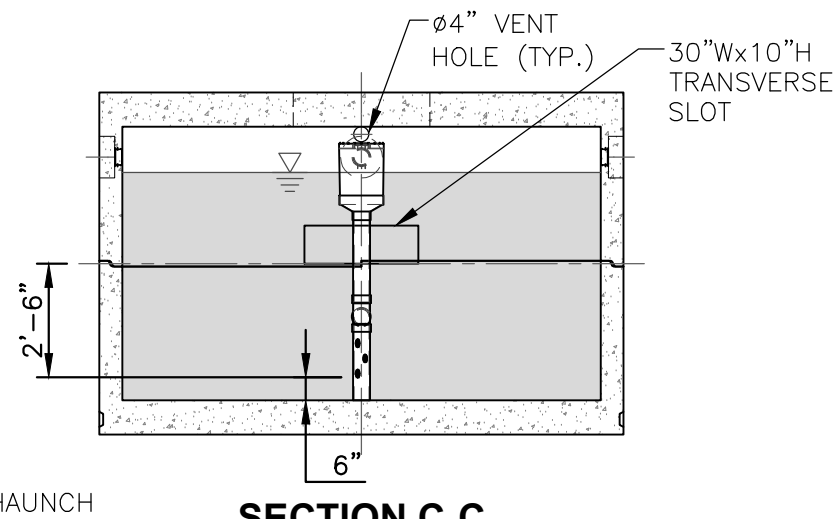
TANK ISOMETRIC



SECTION A-A



SECTION B-B



SECTION C-C

A CAST IN PLACE FLANGE MAY BE REQUIRED TO RESIST UPLIFT (C.I.P. - BY G.C. IN FIELD). CONTACT OUR SALES & ENGINEERING DEPARTMENT TO REVIEW THE JOB SPECIFIC REQUIREMENTS

REV. NO.	DATE	DESCRIPTION

DRAWN BY: **DAR**
DATE: **4/10/23**
CK'D BY: **MJK**
SCALE: **N.T.S.**

PROJECT: **10K TO 26K SEPTIC / EFFLUENT / UTILITY TANKS - PRESENTATION WORKBOOK**

SHEET TITLE: **ST-10,000T - (GGI) GRAVITY GREASE INTERCEPTOR - TRAFFIC**

SHEET NO: **P-20**
FILE NAME: **10k-26k ST-EFF TANK-SW_R6A**