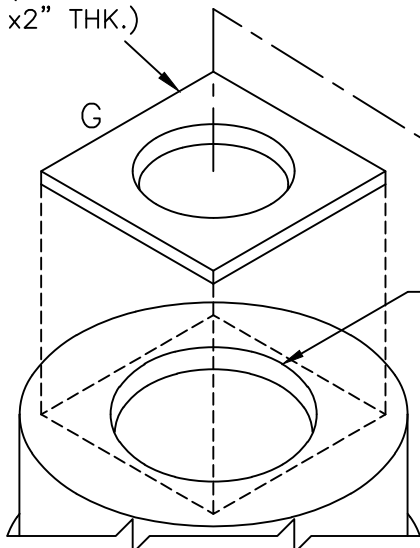




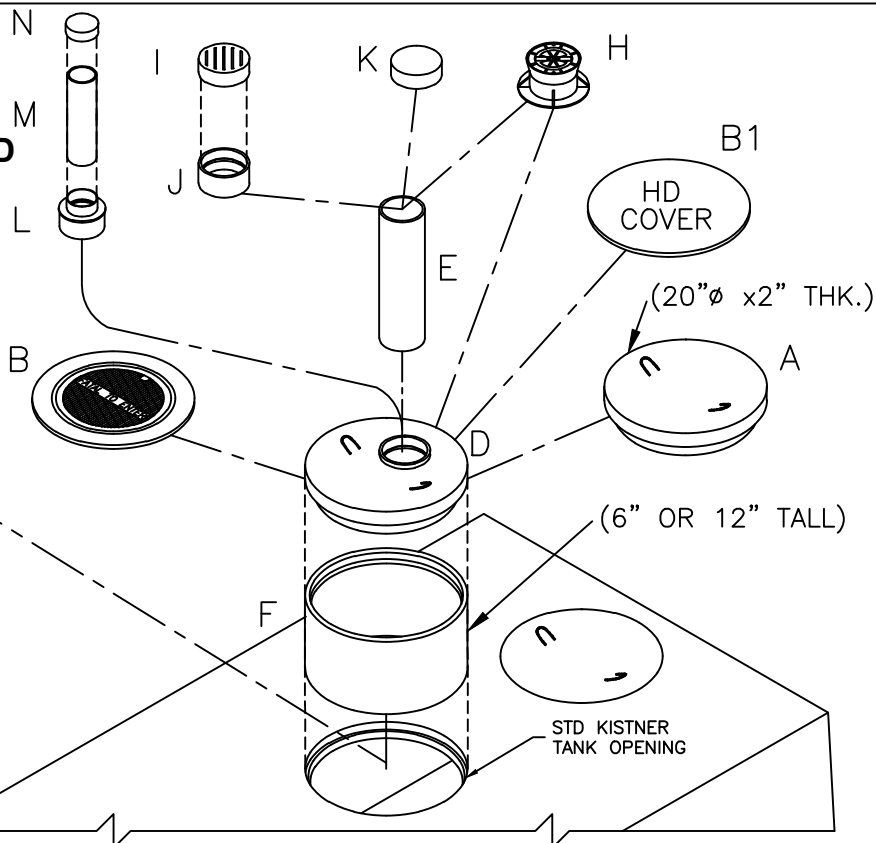
# LIGHT DUTY TANK EXTENSION ACCESSORIES

COVERS A, B & D MAY BE USED ON ANY OPENINGS.  
COVER "A" IS PROVIDED STANDARD ON ALL OPENINGS.

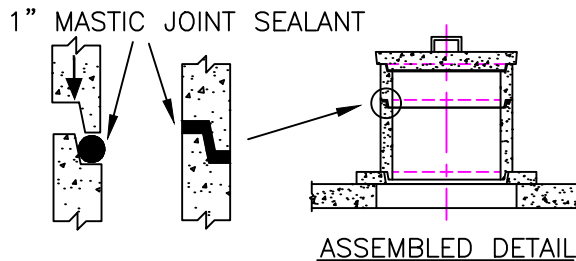
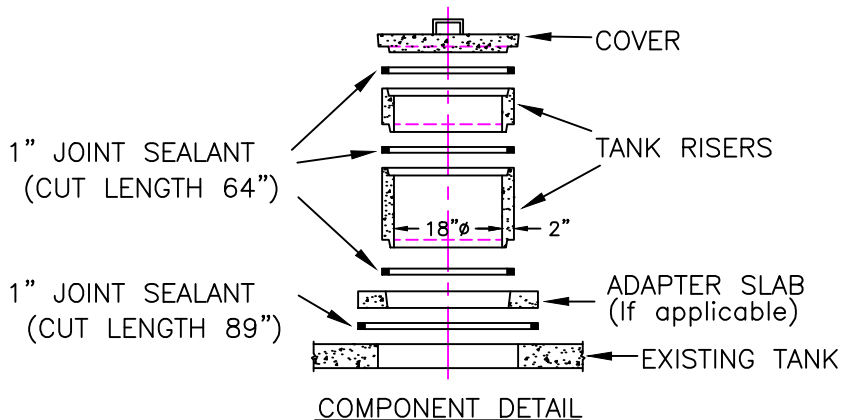
(30" SQ. x2" THK.)



NON-COMPATIBLE OPENING

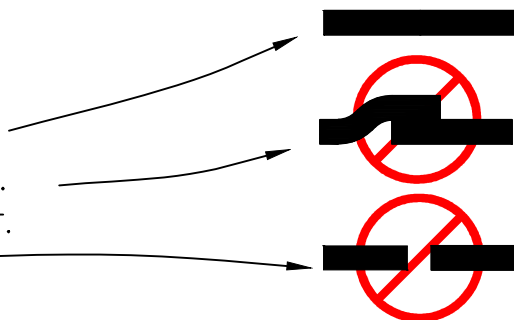


## WATERTIGHT RISER & COVER INSTALLATION PROCEDURES



\*RECOMMEND USING 1" MASTIC SEALANTS (BUTYL) TO AVOID AN INFILTRATION PROBLEM

JOIN ENDS OF SEALANT WITH 1" OVERLAP  
KNEAD TOGETHER MAINTAINING CROSS-SECTION.  
DO NOT "OVERLAP" MORE THAN 1" OF SEALANT.  
DO NOT "GAP" SEALANT.



1" JOINT SEALANT AVAILABLE FROM KISTNER CONCRETE PRODUCTS. SEE MASTIC SEALANT SECTION.