



KISTNER CONCRETE PRODUCTS INC.
8713 READ ROAD
E. PEMBROKE, N.Y.
14056
(716) 894-2267

PRODUCT DESIGNATION

36" HATCH IN CURB - TRAFFIC

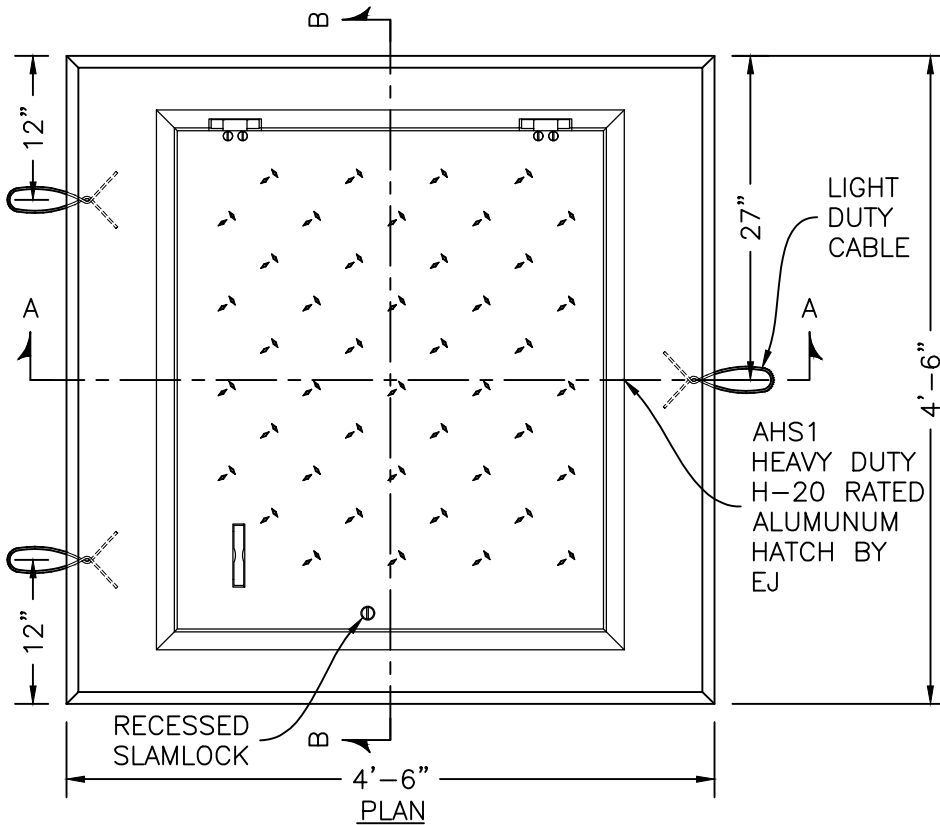
DWG. NO.

36HIC-T R2 ©

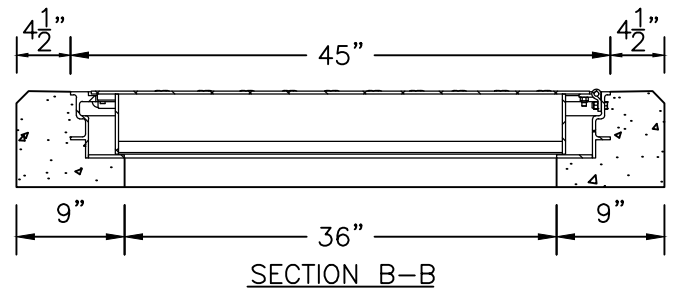
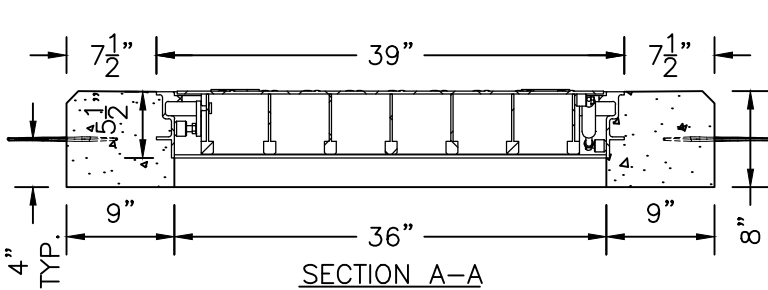
11/14/22

SPECIFICATIONS:

CONCRETE: 4,000 P.S.I. @ 28 DAYS.
ENTRAINED AIR: 5% - 9%.
STEEL: A.S.T.M. A496-A615
GRADE 60-60 KSI.
DESIGN LOADING: A.A.S.H.T.O. HS-20-44
NOT MEANT FOR DELIBERATE TRAFFIC AREAS.



PRODUCT CODE:
WMP-HATCH-HD-36C



L:\CADD\PRODUCTS\WMP-Hatches cast in curb\36HIC-T R2.dwg