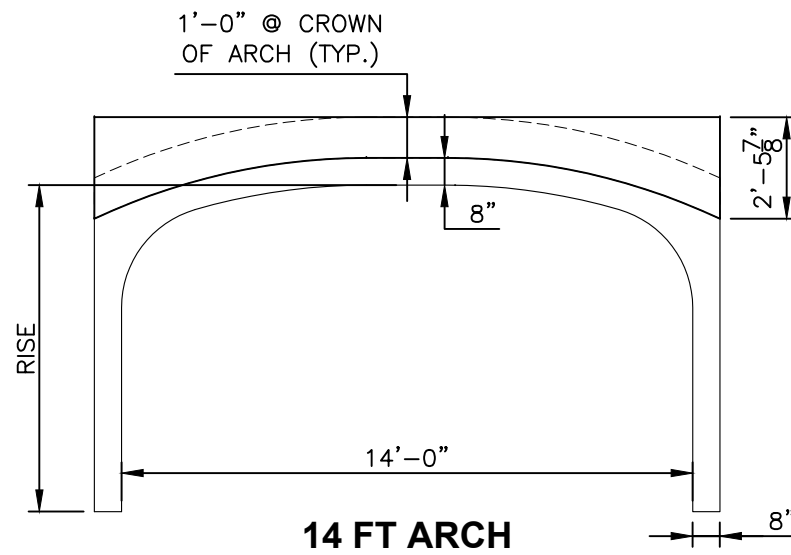


**12 FT ARCH**

| 12 FT. KAST-ARCH |                         |
|------------------|-------------------------|
| RISE (FEET)      | WATERWAY AREA (SQ. FT.) |
| 4                | 41.9                    |
| 5                | 53.9                    |
| 6                | 65.9                    |
| 7                | 77.9                    |
| 8                | 89.9                    |
| 9                | 101.9                   |
| 10               | 113.9                   |

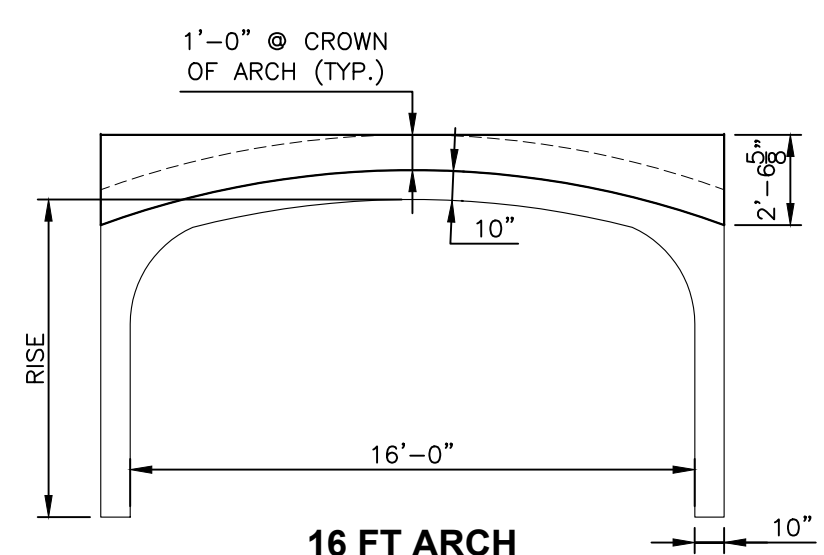
8 FT. MAX. LAY LENGTH



**14 FT ARCH**

| 14 FT. KAST-ARCH |                         |
|------------------|-------------------------|
| RISE (FEET)      | WATERWAY AREA (SQ. FT.) |
| 4                | 49.9                    |
| 5                | 63.9                    |
| 6                | 77.9                    |
| 7                | 91.9                    |
| 8                | 105.9                   |
| 9                | 119.9                   |
| 10               | 133.9                   |

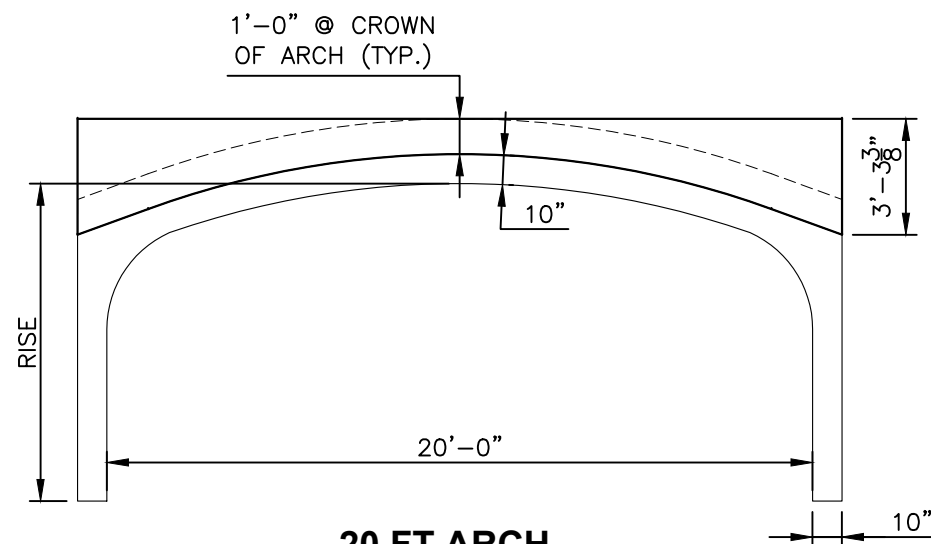
8 FT. MAX. LAY LENGTH



**16 FT ARCH**

| 16 FT. KAST-ARCH |                         |
|------------------|-------------------------|
| RISE (FEET)      | WATERWAY AREA (SQ. FT.) |
| 4                | 55.2                    |
| 5                | 71.2                    |
| 6                | 87.2                    |
| 7                | 103.2                   |
| 8                | 119.2                   |
| 9                | 135.2                   |
| 10               | 151.2                   |
| 11               | 167.2                   |

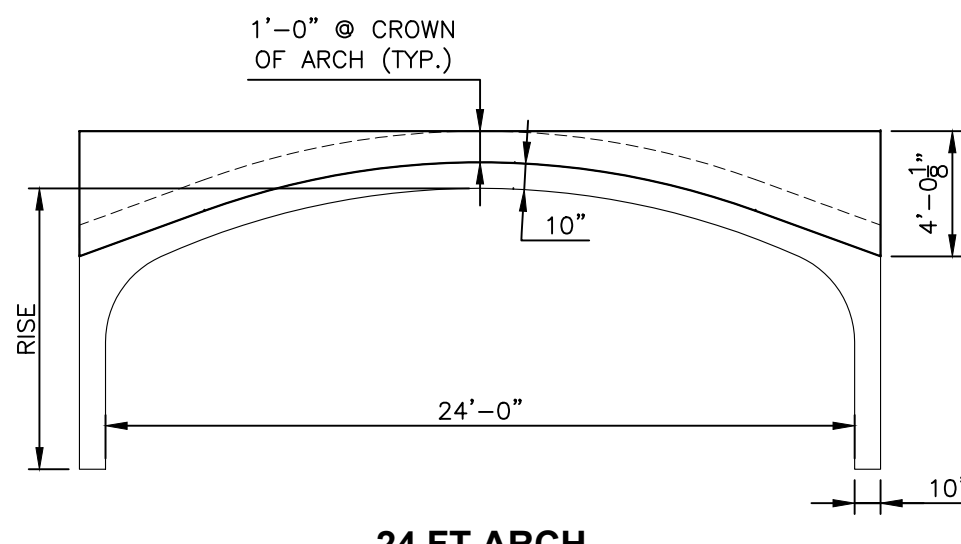
8 FT. MAX. LAY LENGTH



**20 FT ARCH**

| 20 FT. KAST-ARCH |                    |
|------------------|--------------------|
| RISE (FEET)      | WW. AREA (SQ. FT.) |
| 5                | 84.8               |
| 6                | 104.8              |
| 7                | 124.8              |
| 8                | 144.8              |
| 9                | 164.8              |
| 10               | 184.8              |
| 11               | 204.8              |

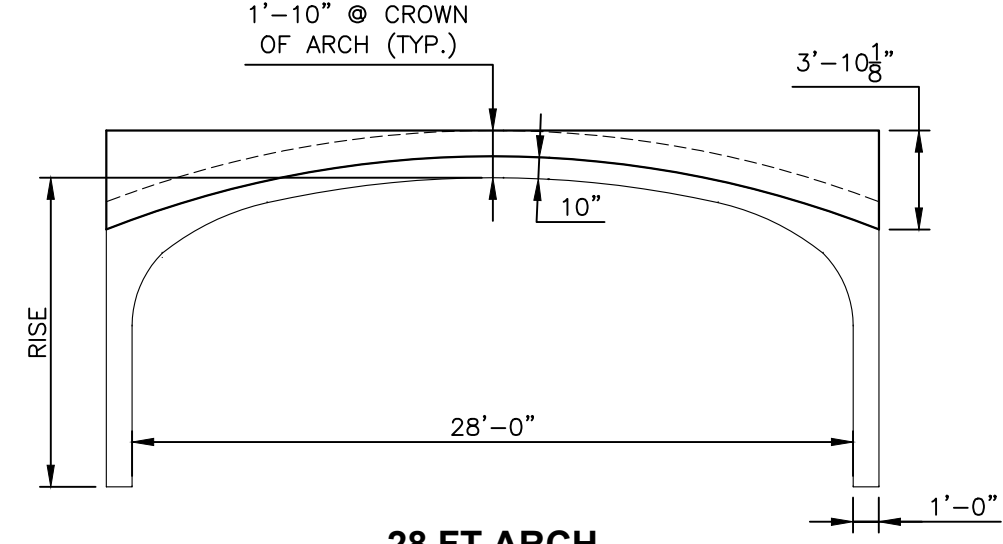
8 FT. MAX. LAY LENGTH



**24 FT ARCH**

| 24 FT. KAST-ARCH |                    |
|------------------|--------------------|
| RISE (FEET)      | WW. AREA (SQ. FT.) |
| 5                | 94.9               |
| 6                | 118.9              |
| 7                | 142.9              |
| 8                | 166.9              |
| 9                | 190.9              |
| 10               | 214.9              |
| 11               | 238.9              |

8 FT. MAX. LAY LENGTH



**28 FT ARCH**

| 28 FT. KAST-ARCH |                    |
|------------------|--------------------|
| RISE (FEET)      | WW. AREA (SQ. FT.) |
| 6                | 139.2              |
| 7                | 167.2              |
| 8                | 195.2              |
| 9                | 223.2              |
| 10               | 251.2              |
| 11               | 279.2              |
| 12               | 307.2              |

5'-11 1/2" MAX. LAY LENGTH



**KISTNER CONCRETE PRODUCTS, INC.**

5550 HINMAN ROAD  
LOCKPORT, NEW YORK 14094  
PHONE 716-434-6157

| REV. NO. | DATE    | DESCRIPTION     |
|----------|---------|-----------------|
| 1        | 5/15/20 | NEW TITLEBLOCKS |

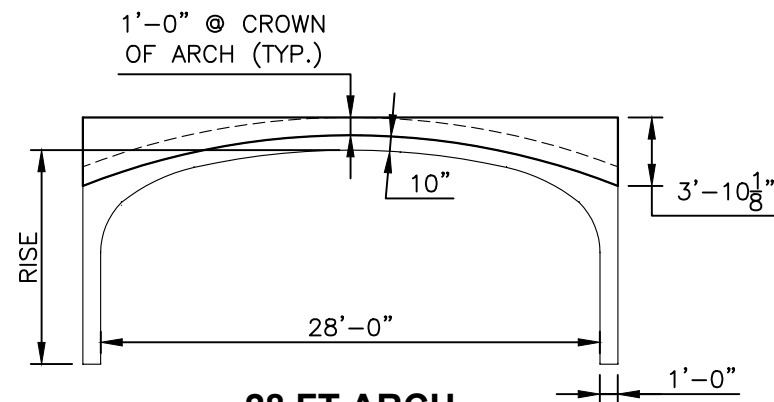
|               |               |       |
|---------------|---------------|-------|
| DRAWN BY: MAK | DATE: 3/20/12 | P.M.: |
| CR'D BY: MJK  | SCALE: N.T.S. |       |

PROJECT: **KAST-ARCH DATA SHEETS**

SHEET TITLE: **MARKETING KAST-ARCH DATA SHEET 1**

SHEET NO. **M-01**  
FILE NAME: KASTARCH-DATA SHEETS\_R1

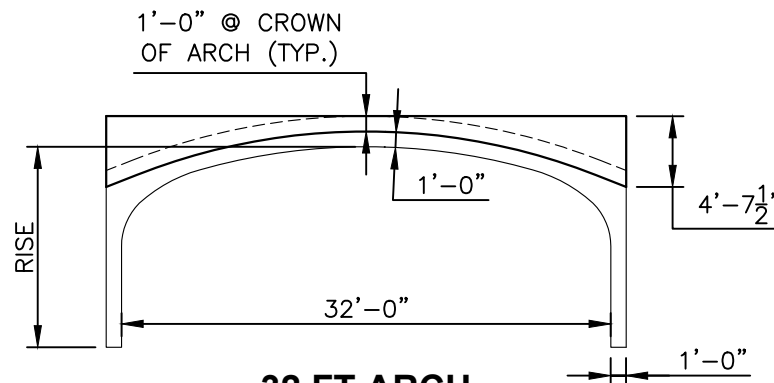
L:\CADD\PRODUCTS\ARCHES\KAST-ARCH FILES\KASTARCH DATA SHEETS\KastArch-DATA SHEETS\_R1.dwg



**28 FT ARCH**

| 28 FT. KAST-ARCH |                    |
|------------------|--------------------|
| RISE (FEET)      | WW. AREA (SQ. FT.) |
| 6                | 139.2              |
| 7                | 167.2              |
| 8                | 195.2              |
| 9                | 223.2              |
| 10               | 251.2              |
| 11               | 279.2              |
| 12               | 307.2              |

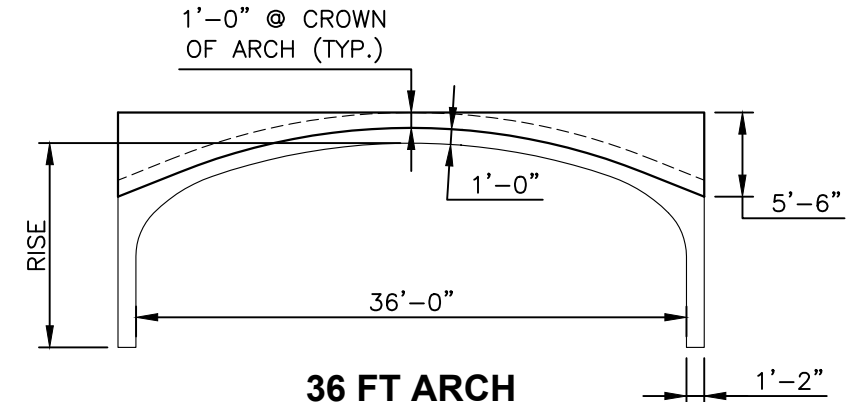
5'-11 1/2" MAX. LAY LENGTH



**32 FT ARCH**

| 32 FT. KAST-ARCH |                    |
|------------------|--------------------|
| RISE (FEET)      | WW. AREA (SQ. FT.) |
| 7                | 183.5              |
| 8                | 215.5              |
| 9                | 247.5              |
| 10               | 279.5              |
| 11               | 311.5              |
| 12               | 343.5              |

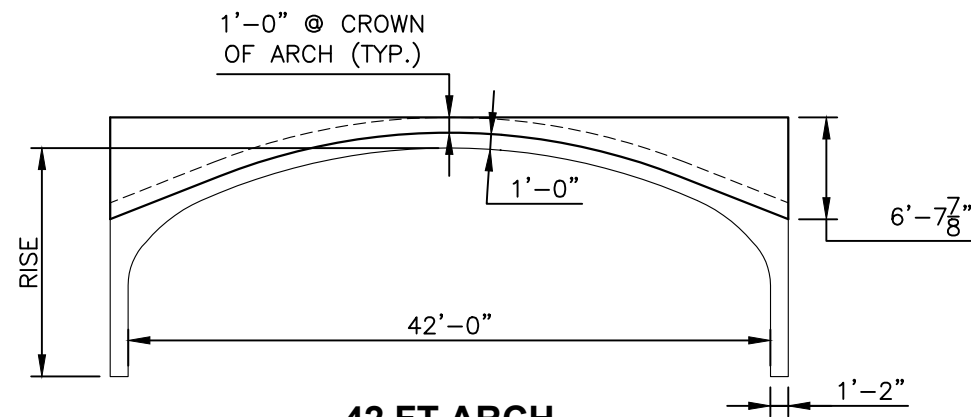
5'-11 1/2" MAX. LAY LENGTH



**36 FT ARCH**

| 36 FT. KAST-ARCH |                    |
|------------------|--------------------|
| RISE (FEET)      | WW. AREA (SQ. FT.) |
| 8                | 232.4              |
| 9                | 268.4              |
| 10               | 304.4              |
| 11               | 340.4              |
| 12               | 376.4              |
| 13               | 412.4              |

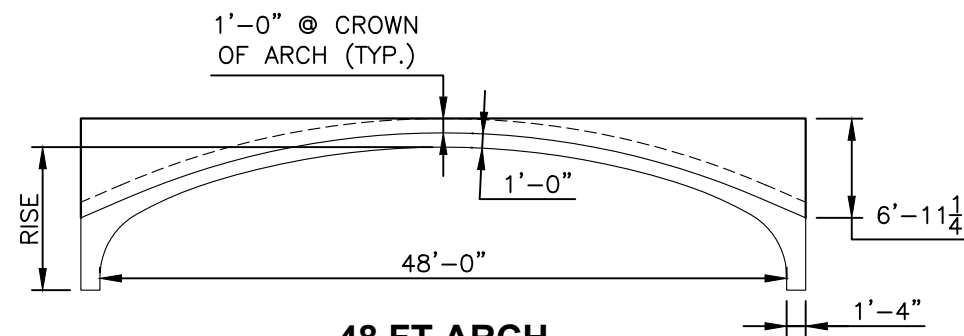
5'-11 1/2" MAX. LAY LENGTH



**42 FT ARCH**

| 42 FT. KAST-ARCH |                    |
|------------------|--------------------|
| RISE (FEET)      | WW. AREA (SQ. FT.) |
| 9                | 292.0              |
| 10               | 334.0              |
| 11               | 376.0              |
| 12               | 418.0              |
| 13               | 460.0              |

5'-11 1/2" MAX. LAY LENGTH



**48 FT ARCH**

| 48 FT. KAST-ARCH |                    |
|------------------|--------------------|
| RISE (FEET)      | WW. AREA (SQ. FT.) |
| 10               | 387.2              |
| 11               | 435.2              |
| 12               | 483.2              |
| 13               | 531.2              |
| 14               | 579.2              |
| 15               | 627.2              |

4'-11 1/2" MAX. LAY LENGTH



**KISTNER CONCRETE PRODUCTS, INC.**  
5550 HINMAN ROAD  
LOCKPORT, NEW YORK 14094  
PHONE 716-434-6157

|          |         |                 |
|----------|---------|-----------------|
| 1        | 5/15/20 | NEW TITLEBLOCKS |
| REV. NO. | DATE    | DESCRIPTION     |

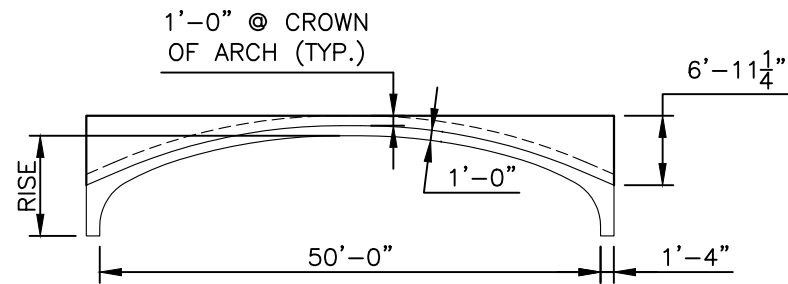
|               |               |       |
|---------------|---------------|-------|
| DRAWN BY: MAK | DATE: 3/20/12 | P.M.: |
| CR'D BY: MJK  | SCALE: N.T.S. |       |

PROJECT: **KAST-ARCH DATA SHEETS**

SHEET TITLE: **MARKETING KAST-ARCH DATA SHEET 2**

SHEET NO. **M-02**  
FILE NAME: KASTARCH-DATA SHEETS\_R1

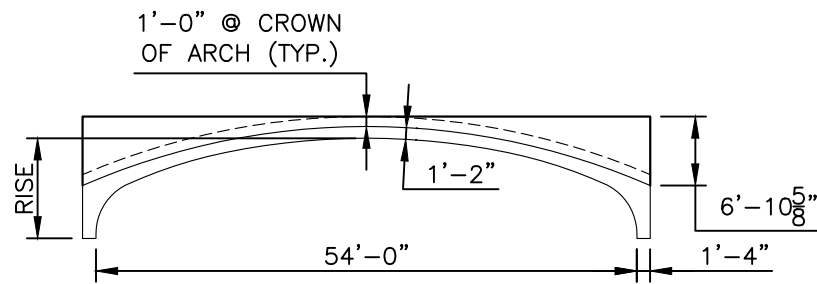
L:\CADD\PRODUCTS\ARCHES\KAST-ARCH FILES\KASTARCH DATA SHEETS\KASTARCH-DATA SHEETS\_R1.dwg



**50 FT ARCH**

| 50 FT. KAST-ARCH |                    |
|------------------|--------------------|
| RISE (FEET)      | WW. AREA (SQ. FT.) |
| 10               | 407.2              |
| 11               | 457.2              |
| 12               | 507.2              |
| 13               | 557.2              |

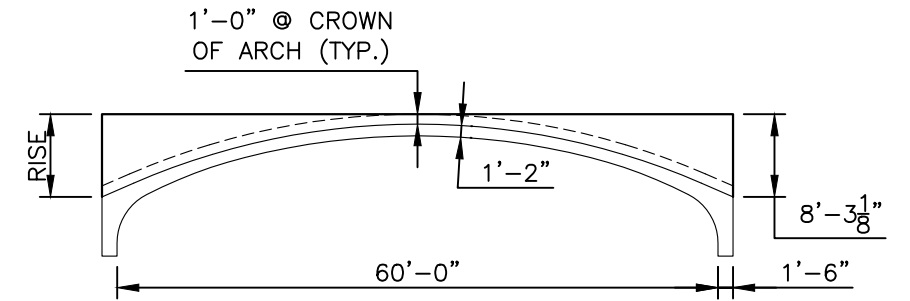
4'-11 1/2" MAX. LAY LENGTH



**54 FT ARCH**

| 54 FT. KAST-ARCH |                    |
|------------------|--------------------|
| RISE (FEET)      | WW. AREA (SQ. FT.) |
| 10               | 434.0              |
| 11               | 488.0              |
| 12               | 542.0              |
| 13               | 596.0              |
| 14               | 650.0              |
| 15               | 704.0              |

3'-11 1/2" MAX. LAY LENGTH



**60 FT ARCH**

| 60 FT. KAST-ARCH |                    |
|------------------|--------------------|
| RISE (FEET)      | WW. AREA (SQ. FT.) |
| 11               | 518.1              |
| 12               | 578.1              |
| 13               | 638.1              |

3'-11 1/2" MAX. LAY LENGTH

L:\CADD\PRODUCTS\ARCHES\KAST ARCH FILES\KASTARCH DATA SHEETS\KASTARCH-DATA SHEETS\_R1.dwg



**KISTNER CONCRETE PRODUCTS, INC.**

5550 HINMAN ROAD  
LOCKPORT, NEW YORK 14094  
PHONE 716-434-6157

| REV. NO. | DATE    | DESCRIPTION     |
|----------|---------|-----------------|
| 1        | 5/15/20 | NEW TITLEBLOCKS |

|           |         |       |
|-----------|---------|-------|
| DRAWN BY: | DATE:   | P.M.: |
| MAK       | 3/20/12 | .     |
| CR'D BY:  | SCALE:  |       |
| MJK       | N.T.S.  |       |

PROJECT:

**KAST-ARCH DATA SHEETS**

SHEET TITLE:

**MARKETING KAST-ARCH DATA SHEET 3**

SHEET NO.

**M-03**

FILE NAME:  
KASTARCH-DATA SHEETS\_R1