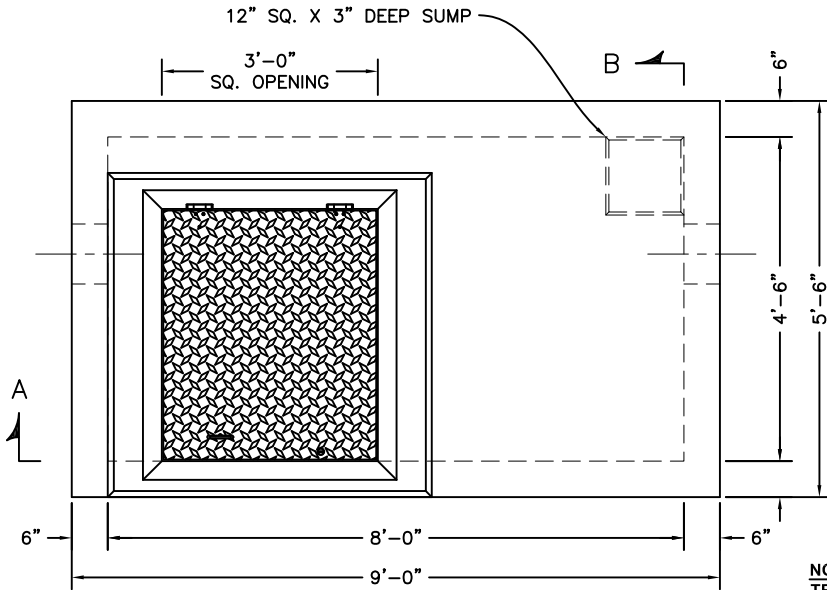




# 4" WATER METER PIT

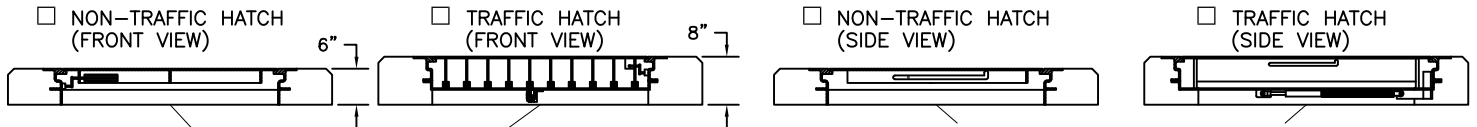
A: SPECIFICATIONS:  
 CONCRETE: 4,000 P.S.I. @ 28 DAYS  
 ENTRAINED AIR: 5% - 9%  
 STEEL: A.S.T.M. A496-A615  
 GRADE 60-60 KSI.  
 DESIGN LOADING: A.A.S.H.T.O. HS-20-44  
 WITH 30% IMPACT AND  
 EQUIVALENT SOIL PRESSURE  
 OF 130 (PSF). FLOTATION  
 FORCES NOT ACCOUNTED FOR.

B: SPECIFICATIONS:  
 CONCRETE: 4,000 P.S.I. @ 28 DAYS  
 ENTRAINED AIR: 5% - 9%  
 STEEL: A.S.T.M. A496-A615  
 GRADE 60-60 KSI.  
 DESIGN LOADING: A-0.3/300PSF/WALKWAYS.  
 FLOTATION FORCES NOT  
 ACCOUNTED FOR.  
 WEIGHT: TOP SECTION: 11,978 LBS.  
 BOTTOM SECTION: 11,978 LBS.  
 TOTAL: 23,956 LBS.



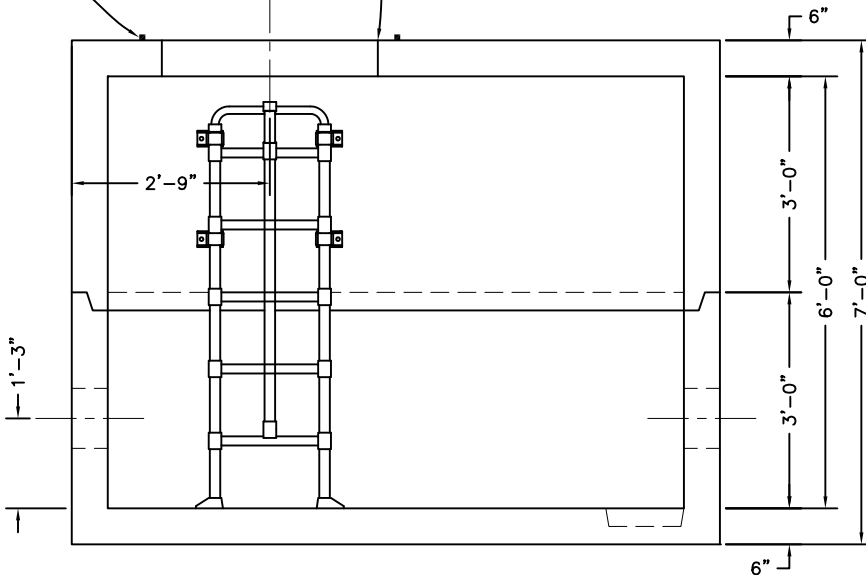
TOP VIEW

OPTION I

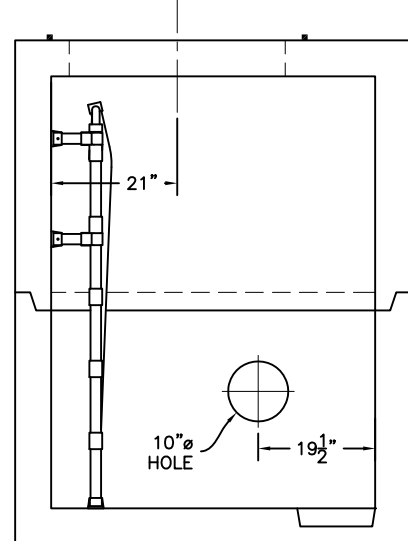


OPTION II  
 HATCH CAST IN FLUSH AS REQ'D  
 EXTEND DRAIN COUPLING  
 TO OUTSIDE VAULT WALL

1. BUTYL  
 RUBBER SEAL



SECTION A-A



SECTION B-B

- HOLES - CONTRACTOR TO GROUT
- WATERTIGHT BOOT SEAL
- LINK SEAL WITH STEEL SLEEVE
- LADDER ONLY
- LADDER WITH INTEGRAL LADDER UP POST
- LADDER WITH SEPARATE LADDER UP POST

NOTE:  
 TRAFFIC LOADED ALUMINUM HATCHES ARE NOT DESIGNED  
 FOR PLACEMENT IN DELIBERATE TRAFFIC AREAS. IF REQUIRED -  
 UPGRADE TO GALVANIZED STEEL.

O:\Drawings\New Stuff after 2-26-10\MPL\WMP48.DWG