



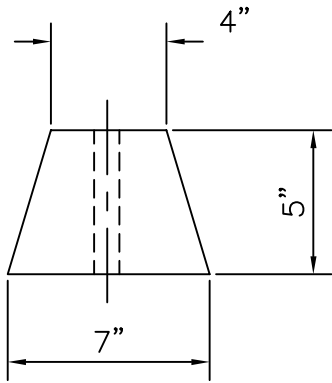
KISTNER CONCRETE
PRODUCTS INC.
8713 READ ROAD
E. PEMBROKE, N.Y.
14056
(716) 894-2267

PRODUCT DESIGNATION

DWG. NO.

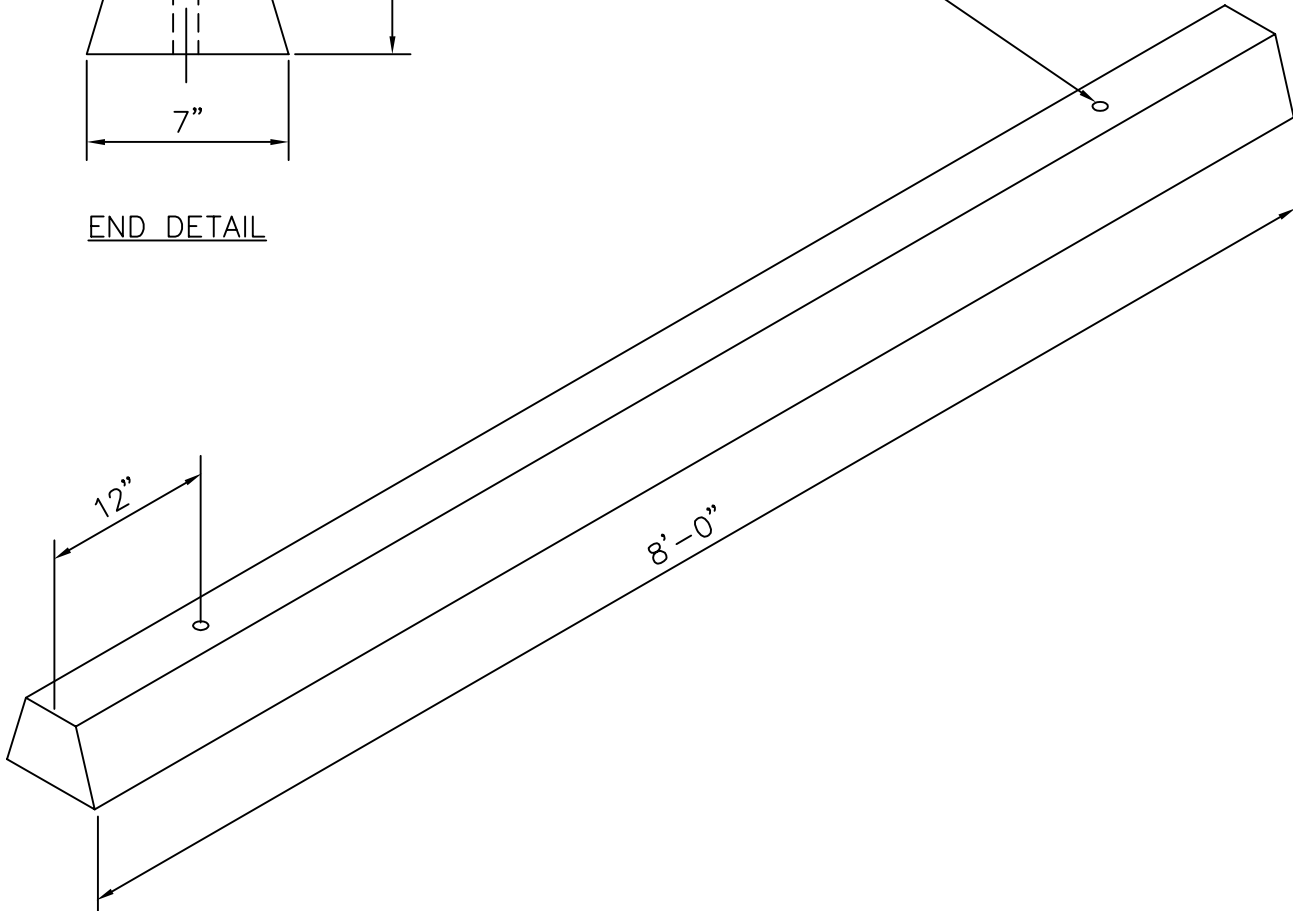
STANDARD 8'-0" PARKING BUMPER

PRKB-8



END DETAIL

7/8" HOLE - 2 REQ'D.



SPECIFICATIONS:

CONCRETE: 4000 P.S.I. @ 28 DAYS.
ENTRAINED AIR: 5% - 9%
STEEL: A.S.T.M. A496-A615

GRADE 60-60 KSI.

WEIGHT: 224 LBS.