



KISTNER CONCRETE PRODUCTS INC.
8713 READ ROAD
E. PEMBROKE, N.Y.
14056
(716) 894-2267

PRODUCT DESIGNATION

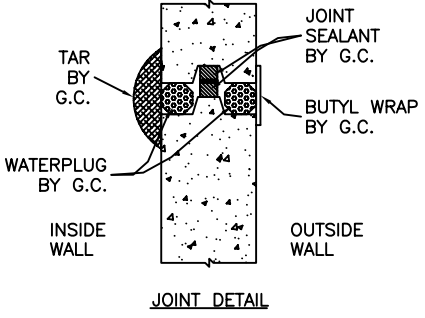
6'-0" X 12'-0"
POWER/COMMUNICATION MANHOLE

DWG. NO.

PMH-PM612 ©
8-16-06

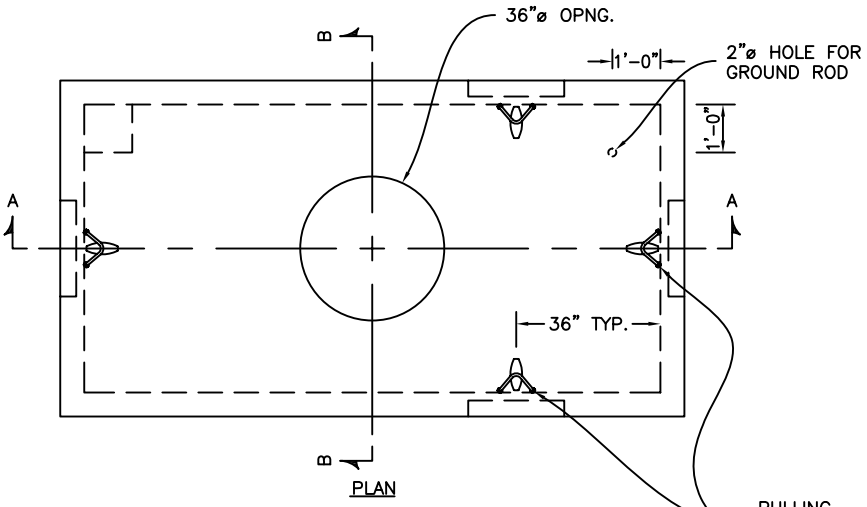
SPECIFICATIONS:

CONCRETE:	4,000 P.S.I. @ 28 DAYS.
ENTRAINED AIR:	5% - 9%.
STEEL:	A.S.T.M. A496-A615
	GRADE 60-60 KSI.
DESIGN:	ACI-318.
LOADING:	A.A.S.H.T.O. HS-20-44
	WITH 30% IMPACT AND
	EQUIVALENT SOIL DENSITY
	OF 120 (PCF). FLOTATION
	FORCES NOT ACCOUNTED FOR.
	WATER TABLE 3'-0" BELOW
	GRADE.
WEIGHT:	TOP SECTION: 19,088.64 LBS.
	BOTTOM SECTION: 20,202.88 LBS.
	TOTAL: 39,291.52 LBS.



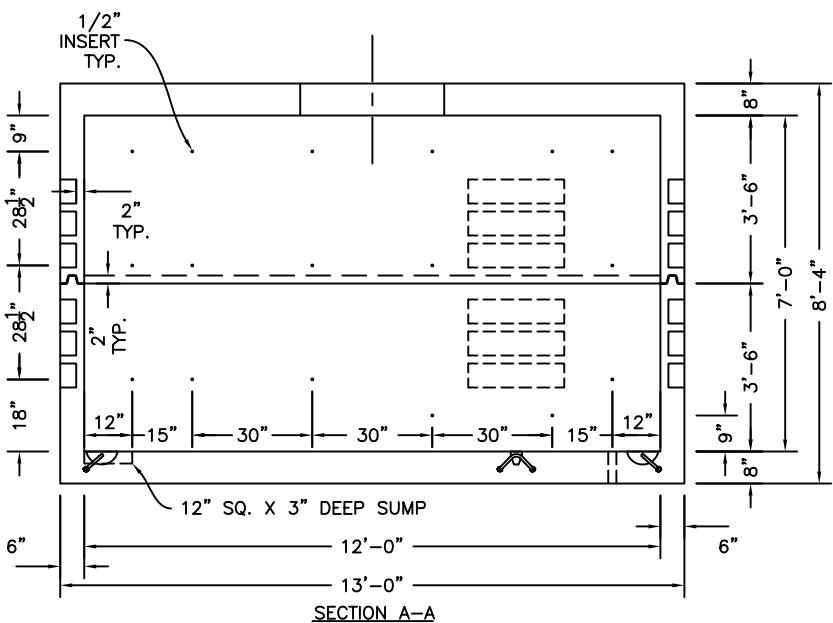
JOINT DETAIL

* INSERTS: 1/2" DIA. SUPPLIED & INSTALLED.

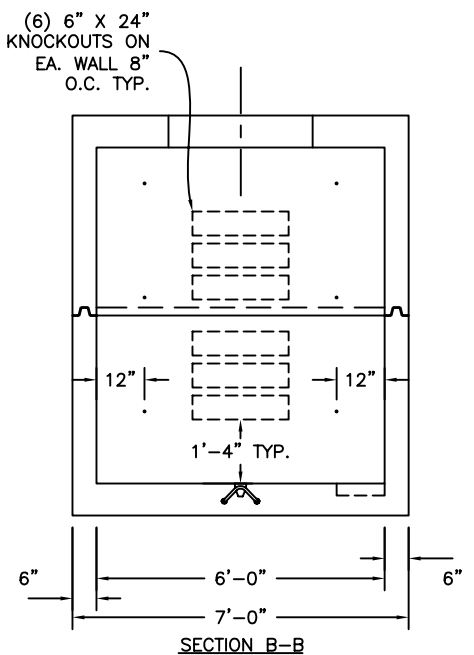


PLAN

PULLING IRON TYP.



SECTION A-A



SECTION B-B