



KISTNER CONCRETE PRODUCTS INC.  
8713 READ ROAD  
E. PEMBROKE, N.Y.  
14056  
(716) 894-2267

PRODUCT DESIGNATION

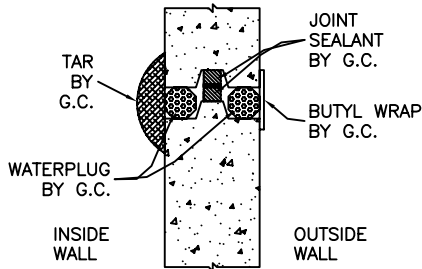
4'-6" X 8'-0"  
POWER/COMMUNICATION MANHOLE

DWG. NO.

PMH-PM468 ©  
8/22/06

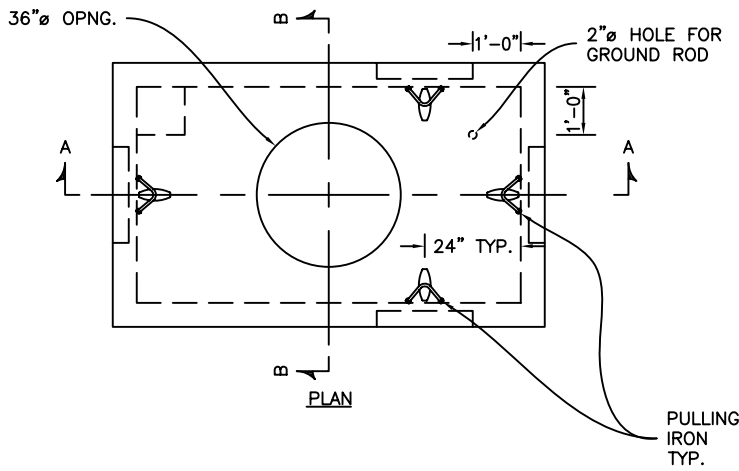
SPECIFICATIONS:

CONCRETE:	4,000 P.S.I. @ 28 DAYS.
ENTRAINED AIR:	5% - 9%.
STEEL:	A.S.T.M. A496-A615 GRADE 60-60 KSI.
DESIGN:	ACI-318.
LOADING:	A.A.S.H.T.O. HS-20-44 WITH 30% IMPACT AND EQUIVALENT SOIL DENSITY OF 120 (PCF). FLOTATION FORCES NOT ACCOUNTED FOR. WATER TABLE 3'-0" BELOW GRADE.
WEIGHT:	TOP SECTION: 10,217.51 LBS. BOTTOM SECTION: 11,282.92 LBS. TOTAL: 21,500.43 LBS.



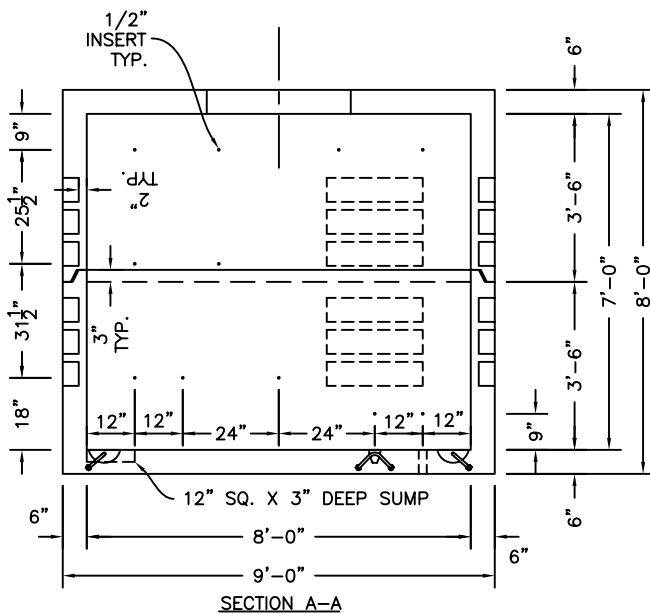
JOINT DETAIL

\* INSERTS: 1/2" DIA. SUPPLIED & INSTALLED.



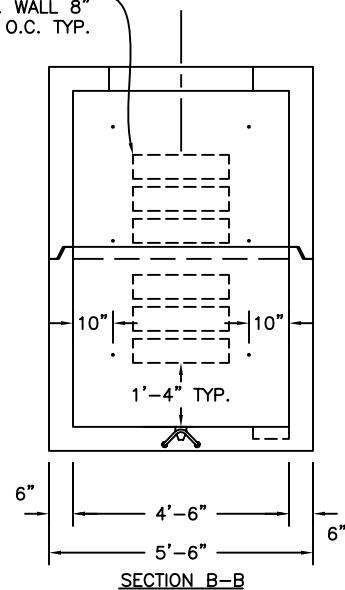
PLAN

PULLING IRON TYP.



SECTION A-A

(6) 6" X 24" KNOCKOUTS ON EA. WALL 8" O.C. TYP.



SECTION B-B