



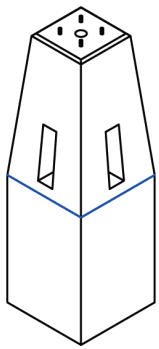
KISTNER CONCRETE PRODUCTS, INC.

ELECTRICAL PRODUCTS OVERVIEW

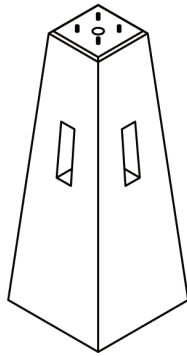
(GO TO: www.kistner.com → ELECTRICAL PRODUCTS)

"THE COMPLETE ELECTRICAL INFRASTRUCTURE PACKAGE"

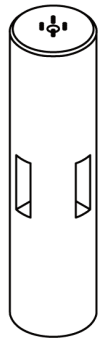
LIGHT BASES



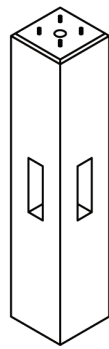
TAPERED
W/STRAIGHT
SHANK
16"x24"/20"x28"/
24"x30"



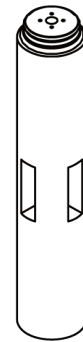
TAPERED
FULL
16"x24"/18"x28"/
24"x44"



ROUND
18"/24"/
30"/36"



SQUARE
24"/30"/36"



ARCHITECTURAL
IONIC
24"

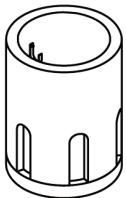
PRECAST ADVANTAGES

- FAST
- HIGH QUALITY
- QUICK AVAIL-
ABILITY
- N.Y.S.D.O.T.
APPROVED

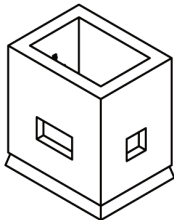
UNI-BASE™

- LESS COORDI-
NATION
- GREATER FLEX-
IBILITY
- RETRO FIT
WIRING
CAPABILITY

PULLBOXES



ROUND
18-30" DIA.



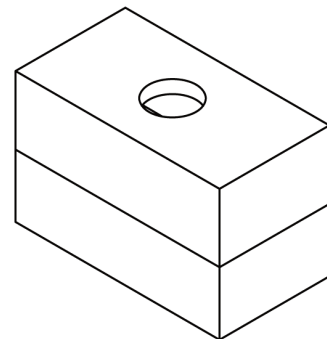
SQUARE
24"-36"

CABLE MARKERS



- CABLE
- SPLICE
- DUCT

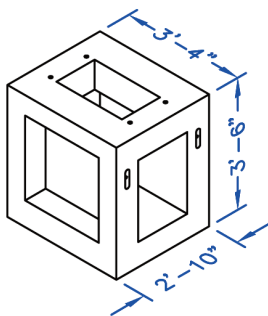
ELECTRIC MANHOLES



- 4' X 4'
- 5' X 5'
- 5' X 10'
- 6' X 6'
- 6' X 8'
- 6' X 12'

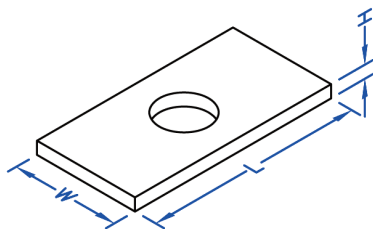
4'x4' - 6'x12'
AND LARGER

CONTROLLER BASE (N.Y.S.D.O.T.)

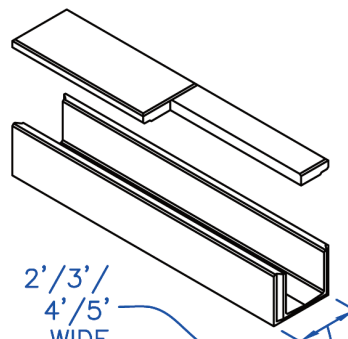


(IN STOCK)

ROOF SLABS



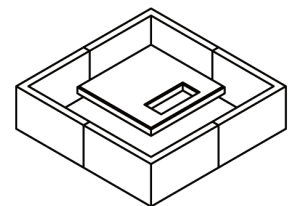
PRECAST TUNNEL - TRENCH



2'/3' /
4'/5'
WIDE

TRANSFORMER PADS & CURBS

- NATIONAL GRID
- RG&E
- NYSE&G



(IN STOCK)