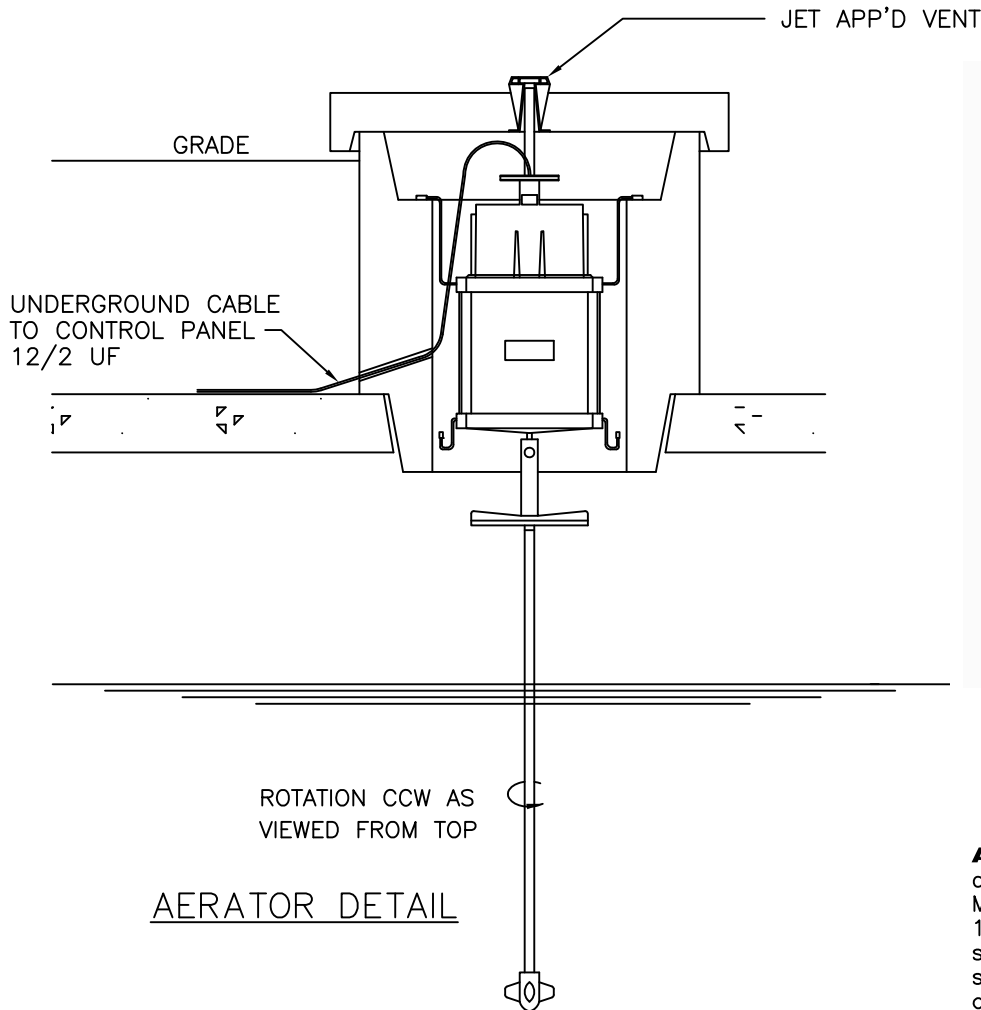




HOME WASTEWATER TREATMENT PLANT MOTOR

KISTNER CONCRETE - LICENSED JET DISTRIBUTOR



AERATOR 700++ The aerator mechanism is a JET Model 700XX complete with 1/3 HP, 115 volt, 60 cycle, split-phase motor (totally sealed against the entrance of outside water) and stainless steel shaft with a PVC plastic aspirator, corrosion-proof foam restrictor and direct, close-coupled stainless steel drive mechanism as manufactured by JET Inc.

**2.4 CFM
3456 CFPD**

**LIFETIME EXCHANGE PROGRAM ON AERATOR
LOW OPERATING COST.**



**PLEASE CALL DIRECT FOR SPECIFICATIONS AND PRICING
(716)693-0174**